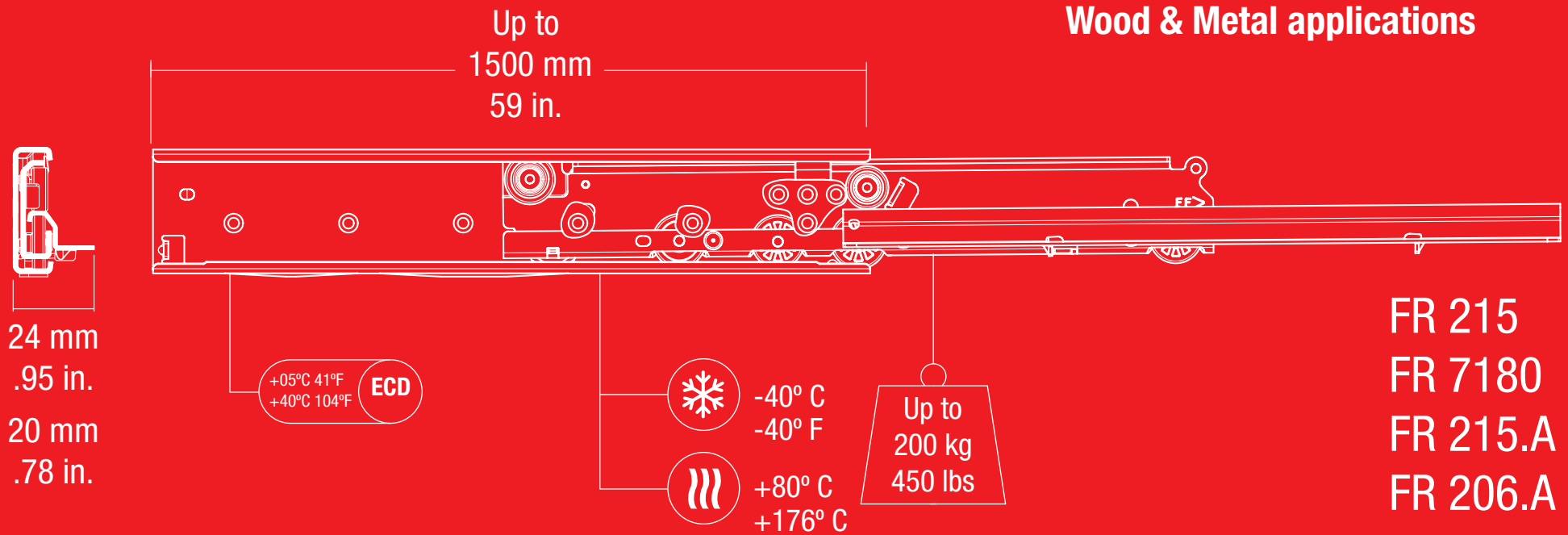


# Fullterer

**Beyond Kitchen Drawers**  
**Heavy duty extra long slides for**  
**Wood & Metal applications**

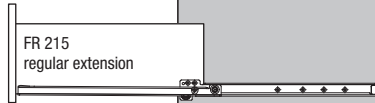


## FR 215

**ECD** available



Regular-Extension Drawer Slide

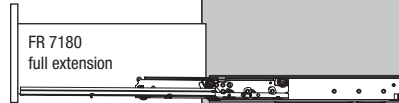


Extension	Lengths	Weight Capacity	Temperature Range	Build-in Width
Regular	Up to 1500mm (59 in.)	100kg (225 lbs.)	-40°C (-40°F) to 80°C (176°F)	24mm (.95 in.)

## FR 7180



Full-Extension Drawer Slide Progressive-Action



Full Progressive Action	Up to 1200mm (47.2 in.)	200kg (450 lbs.)	-40°C (-40°F) to 80°C (176°F)	24mm (.95 in.)
-------------------------	-------------------------	------------------	-------------------------------	----------------

## FR 215.A

**ECD** available



Dual rollers on cabinet profile

Regular Extension Drawer Slide, incorporates dual rollers



Regular	Up to 1500mm (59 in.)	100kg (225 lbs.)	-40°C (-40°F) to 80°C (176°F)	24mm (.95 in.)
---------	-----------------------	------------------	-------------------------------	----------------

## FR 206.A



Dual rollers on cabinet profile



Regular-Extension Drawer Slide



Regular	Up to 1500mm (59 in.)	100kg (225 lbs.)	-40°C (-40°F) to 80°C (176°F)	20mm (.79 in.)
---------	-----------------------	------------------	-------------------------------	----------------