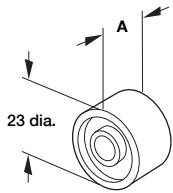


# Spacers

## Spacer A

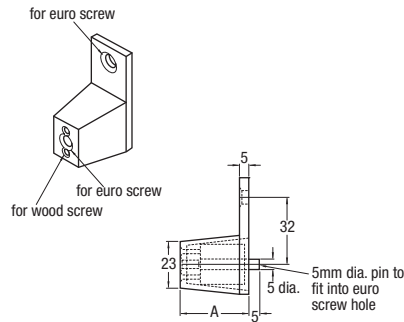


Material: plastic

Description	Dimension A		Order No. white	Order No. black
	mm	inch		
Spacer A	12.5	0.49	*	*
Spacer A	15.0	0.59	*	600085
Spacer A	21.0	0.83	*	*

Packing Unit: 100 pieces per box \* on request

## Spacer B

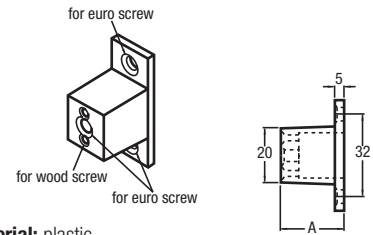


Material: plastic

Description	Dimension A		Order No. white	Order No. black
	mm	inch		
Spacer B	31.5	1.24	*	*
Spacer B	38.0	1.50	*	*
Spacer B	51.0	2.01	*	*

Packing Unit: 100 pieces per box \* on request

## Spacer C



Material: plastic

Description	Dimension A		Order No. white
	mm	inch	
Spacer C	6.0	0.24	*
Spacer C	9.0	0.35	*
Spacer C	12.0	0.49	*
Spacer C	19.0	0.75	*
Spacer C	22.0	0.87	*
Spacer C	26.0	1.00	*
Spacer C	32.0	1.24	*
Spacer C	38.0	1.50	*

Packing Unit: 100 pieces per box \* on request

# DS.007

TYPE:

Spacer System for Regular-Extension Drawer Slides FR 2021, FR 2022 and FR 2026

MATERIAL:

plastic, white

### ORDERING SUGGESTIONS:

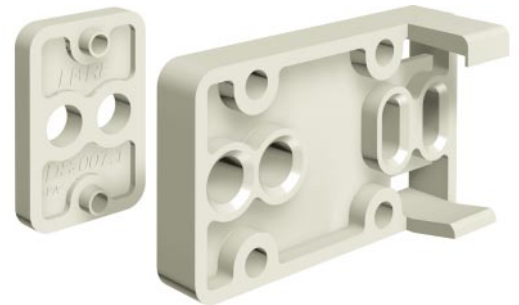
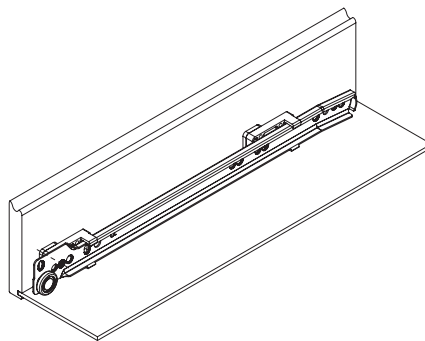
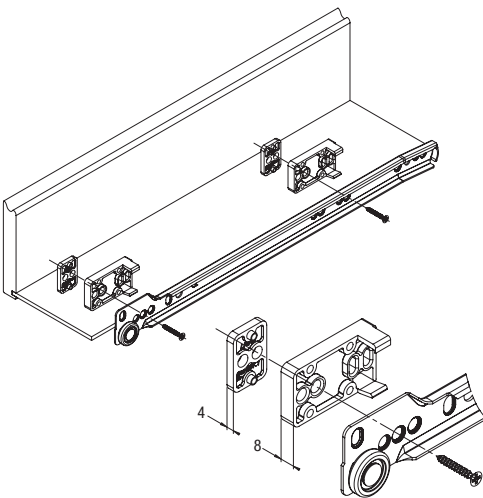
Distance	Number of parts
8 mm	1 piece DS.007 base plate 8 mm
12 mm	1 piece DS.007 base plate 8 mm 1 piece DS.007.1 clip-on spacer 4 mm
16 mm	1 piece DS.007 base plate 8 mm 2 pieces DS.007.1 clip-on spacer 4 mm
24 mm	1 piece DS.007 base plate 8 mm 4 pieces DS.007.1 clip-on spacer 4 mm

### TECHNICAL DETAILS:

- ▶ The number of attachment points depends on the length of the cabinet profiles:
- ▶ up to 450 mm - at least 2 attachment points
- ▶ up to 550 mm - at least 3 attachment points
- ▶ up to 650 mm - at least 4 attachment points

### SPECIFICATIONS:

- ▶ plastic spacers are used to overcome the door protrusion on the inside of the cabinet
- ▶ the variable spacer system can be used with all Filterer stock drawer slides FR 2021, FR 2022 and FR 2026
- ▶ the spacers can be stacked to allow use with different door protrusion sizes, depending on the hinge used

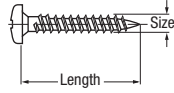


Description	Thickness		Order No.
	mm	inch	
DS.007 Base plate	8	0.32	2645
DS.007.1 Spacer	4	0.16	2646

Packing Unit: 500 pieces per box

# Screws

## Wood Screw (Pan Head)



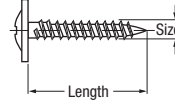
### SPECIFICATIONS:

- ▶ Wood Screw
- ▶ phillips drive, pan head

Material: case hardened steel

Screw Size	Length mm in.	Packing per master box	Order No. black
#6	12.0 0.49	23M	6000132
#8	22.0 0.88	15M	6000140
#8	38.0 1.50	10M	6000142
* on request			

## Wood Screw (Truss Head)



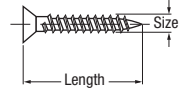
### SPECIFICATIONS:

- ▶ Wood Screw ▶ phillips drive, truss head
- ▶ For use with FR 5000 and other ball bearing slides
- ▶ Plastic and steel rear mounting sockets

Material: case hardened steel

Screw Size	Length mm in.	Packing per master box	Order No. zinc	Order No. black
#8	12.0 0.49	32M	6000091	6000141
#8	16.0 0.63	13.5M	6000139	*
#8	19.0 1.75	12M	6000088	*
* on request				

## Wood Screw



### SPECIFICATIONS:

- ▶ Wood Screw
- ▶ phillips drive, countersunk, flat head

Material: case hardened steel

Screw Size	Length mm in.	Packing per master box	Order No. nickel	Order No. zinc	Order No. black
#6	11.0 0.44	39.5M	*	*	6000160
#6	12.0 0.50	30M	6000098	*	6000130
#6	16.0 0.63	25M	6000100	*	6000131
#8	16.0 0.63	20M	*	6000143	*
* on request					

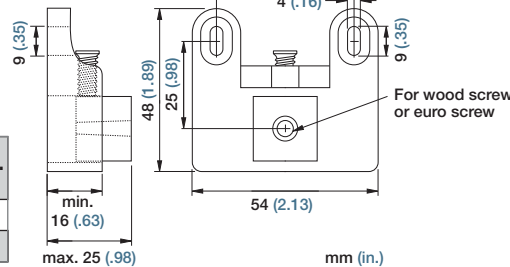
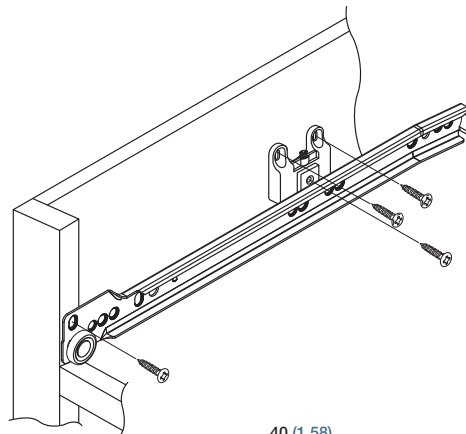
# Spacers

## Adjustable Spacer for Face-Frame Cabinets

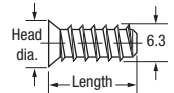


Material: plastic

Description	Order No. white
Adjustable Spacer	6000227
Packing Unit: 1 set (2 pcs.)	



## Euro Screw



### SPECIFICATIONS:

- ▶ Euro Screw for 5 mm pre-drilled hole
- ▶ phillips drive, flat head

Material: case hardened steel

Head Diameter mm	Length mm	Packing per master box	Order No. zinc	Order No. nickel
7	11.0	16M	6000094	*
7	13.0	16M	6000105	*
8	11.0	16M	6000104	*
8	13.0	16M	6000106	*
8	14.0	14M	*	6000108
7	19.0	10M	6000107	*
8	25.0	8M	*	6000109
7	30.0	6M	*	6000116
* on request				