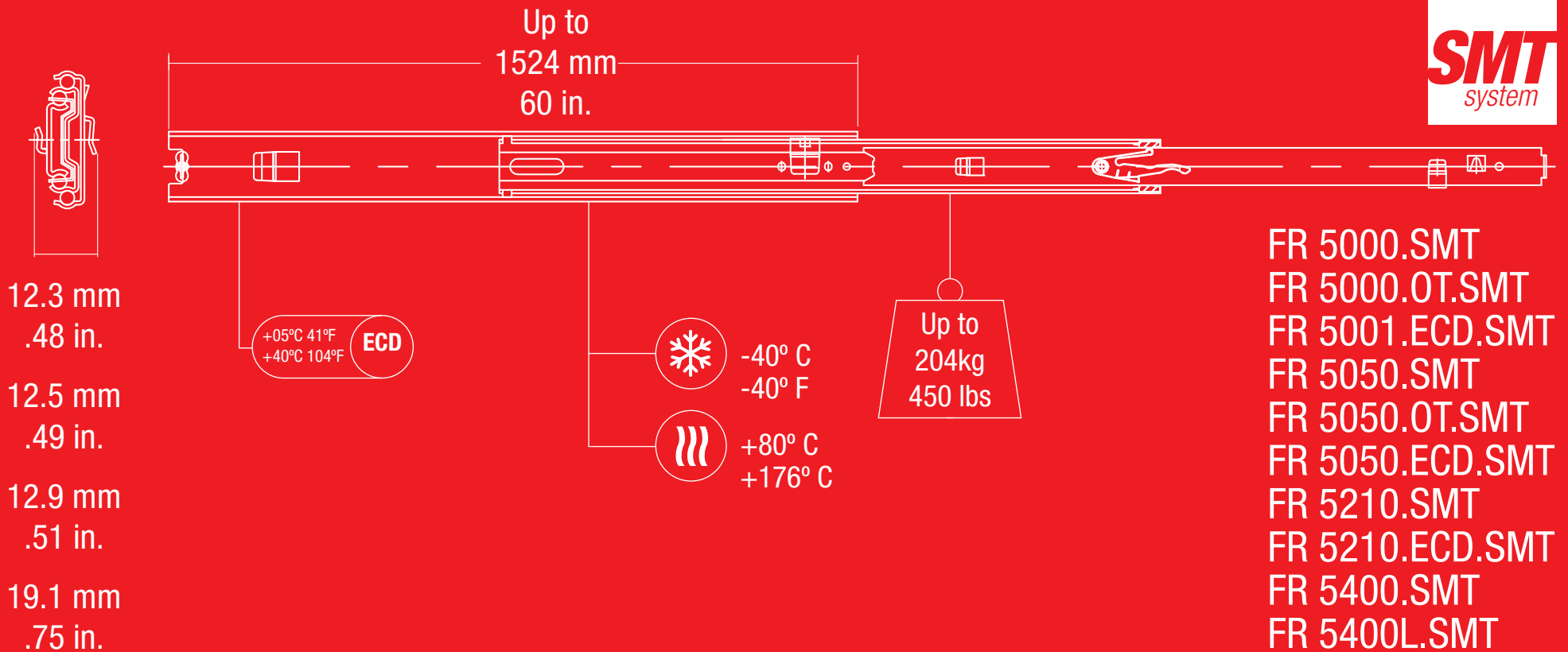


Fulterer

Ball Bearing SMT

Slides with standard mounting tab



- FR 5000.SMT
- FR 5000.OT.SMT
- FR 5001.ECD.SMT
- FR 5050.SMT
- FR 5050.OT.SMT
- FR 5050.ECD.SMT
- FR 5210.SMT
- FR 5210.ECD.SMT
- FR 5400.SMT
- FR 5400L.SMT
- FR 5609.SMT
- FR 5609.OT.SMT
- FR 5609.ECD.SMT

FR 5000.SMT & FR 5000.OT.SMT



available **ECD**

Full-Extension Ball Bearing
Drawer Slide with Standard Mounting Tab
FR 5000.OT.SMT is the Over-travel Version
Also available FR5001.ECD.SMT with easy close devise.



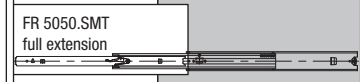
Extension	Lengths	Weight Capacity	Temperature Range	Build-in Width
Full	Up to 700mm (27.56 in.)	45kg (100 lbs.)	-40°C (-40°F) to 80°C (176°F)	12.3mm (.48 in.)

FR 5050.SMT & FR 5050.OT.SMT



available **ECD**

Heavy-Duty Full-Extension Ball Bearing Drawer Slide,
with Standard Mounting Tab
FR 5050.OT.SMT is the Over-travel Version
Also available FR5050.ECD.SMT with easy close devise.



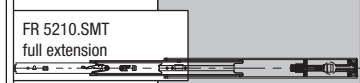
Full	Up to 700mm (27.56 in.)	FR 5050.SMT 60kg (130 lbs.) FR 5050.ECD.SMT FR 5050.OT.SMT 120kg (120 lbs.)	-40°C (-40°F) to 80°C (176°F)	12.5mm (.49 in.)
------	----------------------------	---	----------------------------------	------------------

FR 5210.SMT & FR 5210.ECD.SMT



available **ECD**

Heavy-Duty Full-Extension Ball Bearing Drawer Slide,
with Standard Mounting Tab
Also available FR5210.ECD.SMT with easy close devise.



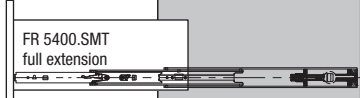
Full	Up to 700mm (27.56 in.)	90kg (200 lbs.)	-40°C (-40°F) to 80°C (176°F)	12.9mm (.51 in.)
------	----------------------------	-----------------	----------------------------------	------------------

FR 5400.SMT & FR 5400L.SMT



Heavy-Duty Full-Extension Ball Bearing Drawer Slide,
with Standard Mounting Tab
Also available FR5400L.SMT with locking mechanism

FR 5400L.SMT
locking version



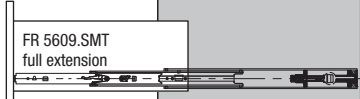
Full	Up to 1524mm (60 in.)	204kg (450 lbs.)	-40°C (-40°F) to 80°C (176°F)	19.1mm (.75 in.)
------	--------------------------	------------------	----------------------------------	------------------

FR 5609.SMT & FR 5609.OT.SMT



available **ECD**

Full-Extension Ball Bearing
Drawer Slide with Standard Mounting Tab
FR 5609.OT.SMT is the Over-travel Version
Also available FR5609.ECD.SMT with easy close devise.



Full	Up to 1100mm (43.31 in.)	100kg (225 lbs.)	-40°C (-40°F) to 80°C (176°F)	19mm (.75 in.)
------	-----------------------------	------------------	----------------------------------	----------------