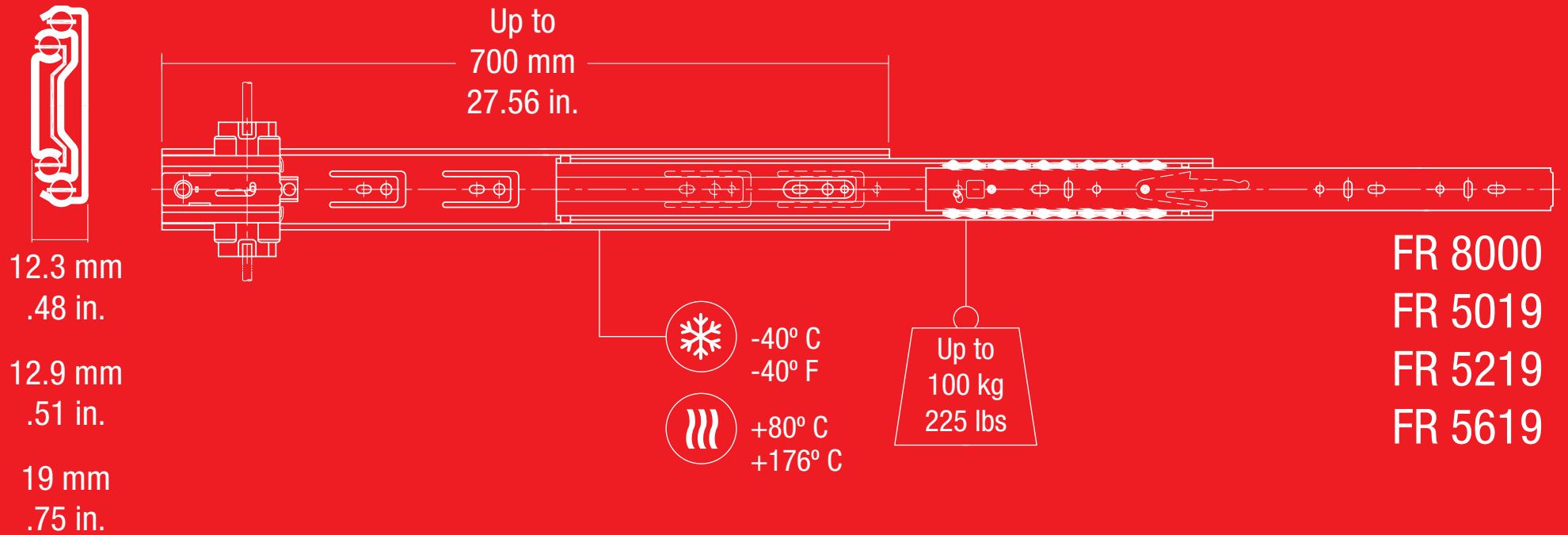


# Fulterer

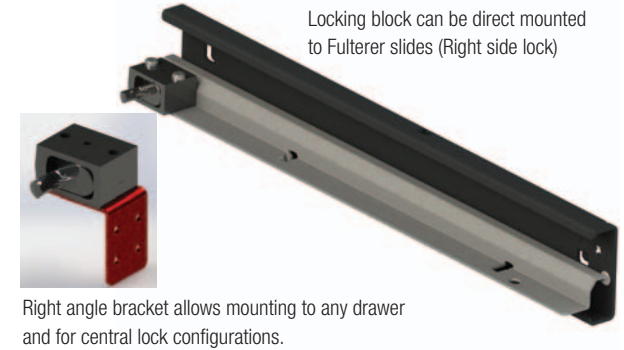
## Locking and Anti-Tilt System



## FR 8000

### FPS 8000 Locking Anti-tilt System

A new and innovative system that incorporates a cam locking system. Anti-tilt design allows only one drawer at a time to be open. Materials are durable engineered resin with aluminum frame and metal rods.



Locking block can be direct mounted to Fullerer slides (Right side lock)

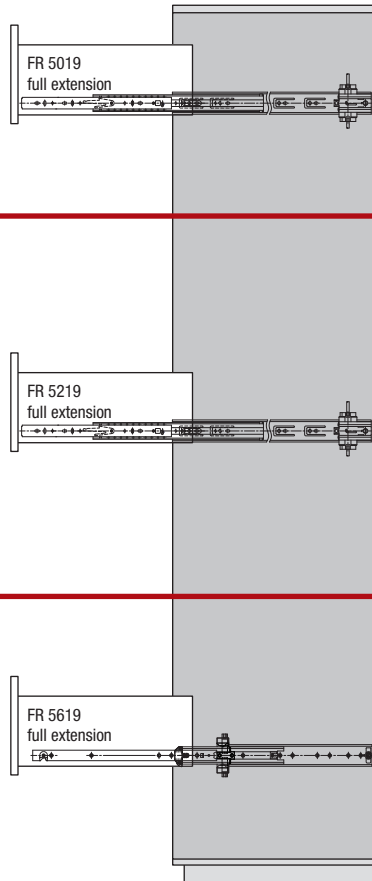
Right angle bracket allows mounting to any drawer and for central lock configurations.

## FR 5019



Full-Extension Ball Bearing Drawer Slide - with interlock & anti-tilt function

FR 5019 Interlock & anti-tilt closing mechanism



Extension Lengths

Full Up to 700mm (27.56 in.)



Weight Capacity

45kg (100 lbs.)



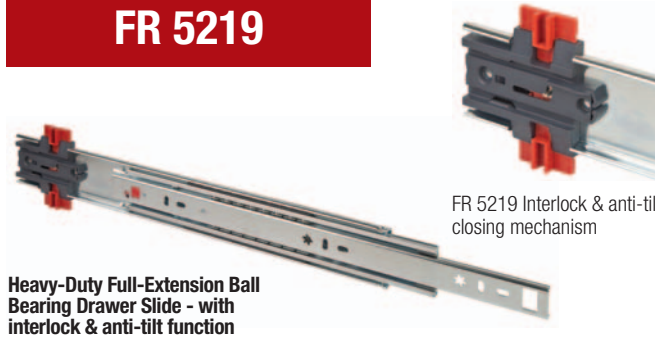
Temperature Range

-40°C (-40°F) to 80°C (176°F)

Build-in Width

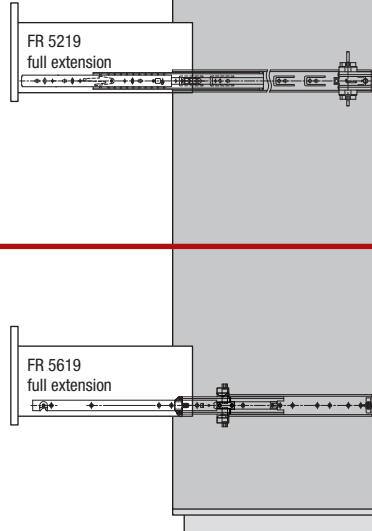
12.3mm (.48 in.)

## FR 5219



Heavy-Duty Full-Extension Ball Bearing Drawer Slide - with interlock & anti-tilt function

FR 5219 Interlock & anti-tilt closing mechanism



Full Up to 700mm (27.56 in.)

90kg (200 lbs.)

-40°C (-40°F) to 80°C (176°F)

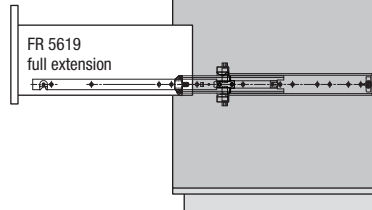
12.9mm (.51 in.)

## FR 5619



Heavy-Duty Full-Extension Ball Bearing Drawer Slide with anti-tilt mechanism

FR 5619 anti-tilt mechanism incorporated



Full Up to 700mm (27.56 in.)

100kg (225 lbs.)

-40°C (-40°F) to 80°C (176°F)

19mm (.75 in.)