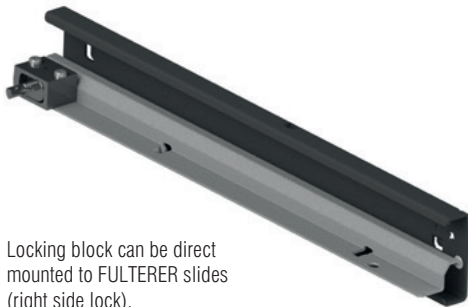


FS 8000 | Locking Anti-Tilt System

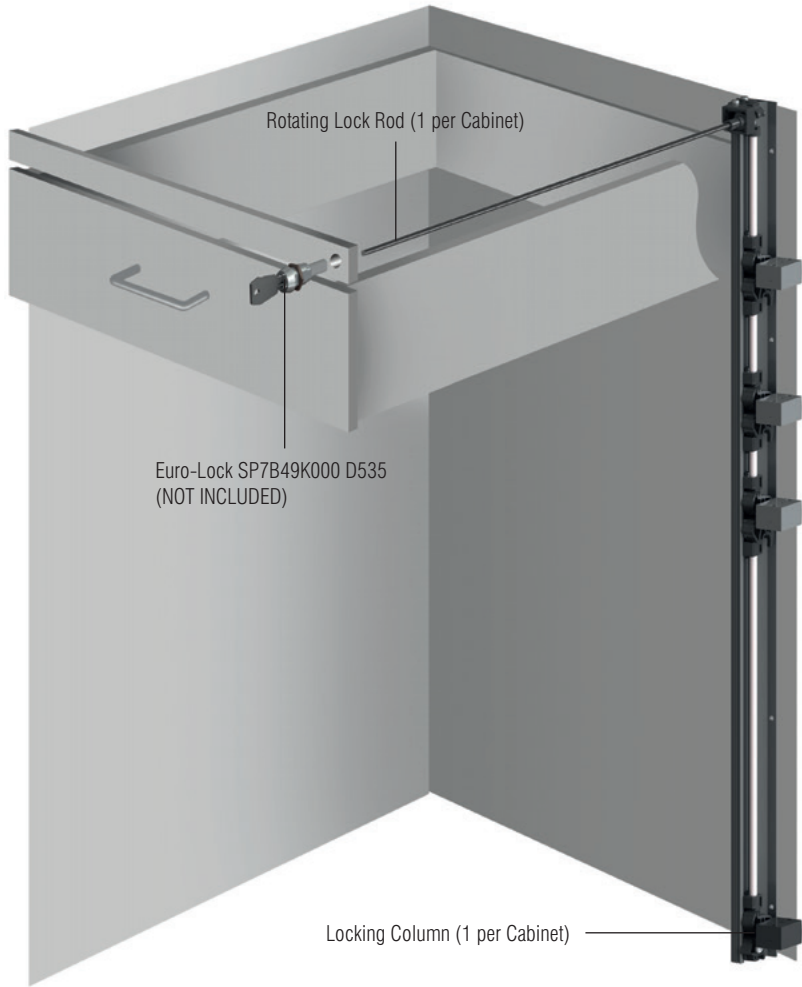
A new and innovative system that incorporates a cam locking system. Anti-tilt design allows only one drawer at a time to be open. Materials are durable engineered resin with aluminum frame and metal rods.



Right angle bracket allows mounting to any drawer and for central lock configurations.



Locking block can be direct mounted to FULTERER slides (right side lock).



Characteristics

- high strength 120 kg (264 lbs.)
- locking system for all drawers (optional)
- anti-tilt mechanism allows only one drawer at a time to be opened
- system design can handle multiple drawer configurations
- drawers must be at least 50 mm (1.97 in.) apart
- system does not need to be "Set" for drawer installation

The locking pin block can be mounted directly on the drawer profile of the following Fulterer slides (right side lock):

Compatible Drawer Slides	Load Capacity	
	kg	lbs.
FR 215	100	225
FR 7075	75	165
FR 7180	200	450

Packing

sold as set, including all parts (drawer slides sold separately)

Item No.

*

Call customer service for ordering details.

* on request