

## FR 9001 Aluminum Sliding System



# FR 9001

<b>SLIDE TYPE:</b>	Modular Aluminum Sliding System
<b>MOUNTING:</b>	Bottom Mount or Side Mount

<b>WIDTH:</b>	58 mm (2.28 in.)
<b>LOAD CAPACITY:</b>	dynamic up to 225 kg (500 lbs.)



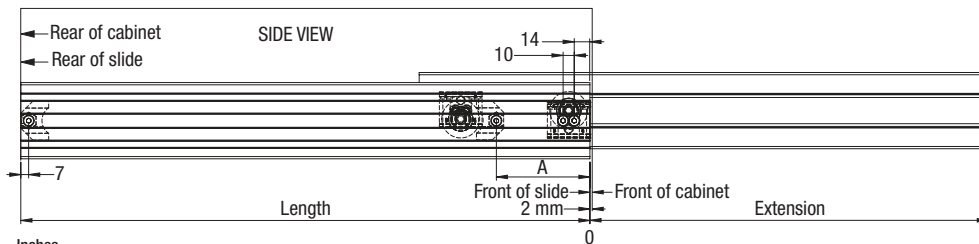
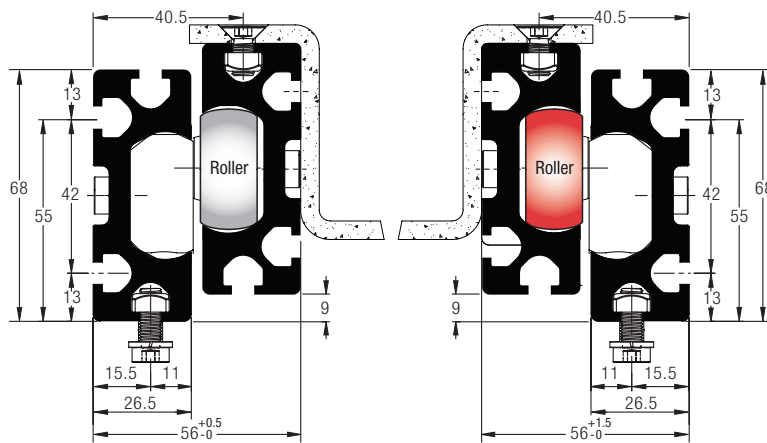
<b>MATERIALS:</b>	aluminum slide
-------------------	----------------

<b>FEATURES:</b>	nylon rollers and nylon-encased ball bearings
------------------	---

<b>CAUTION:</b>	▶ rollers set color must match on each side
-----------------	---

<b>APPLICATION ADVANTAGES:</b>	▶ 3 components = 1 system a commonly shared extruded profile with a special interior shape in combination with roller carriers and stops offering a wide variety of applications.
--------------------------------	---

<b>SPECIFICATIONS:</b>	<ul style="list-style-type: none"> <li>▶ modular Sliding System comprised of 3 aluminum components for a wide variety of applications</li> <li>▶ 500 lbs. weight capacity for a 4 ft. long pull-out Regular Extension is approximately 70% of the length of the profile</li> <li>▶ the special interior shape of the profile compensates for installation inaccuracies in width, height and angular direction</li> <li>▶ the extruded profile is available up to 6400 mm (21 ft.)</li> <li>▶ simple and secure fastening of the profiles by means of the T-slots and M6 bolts</li> <li>▶ simple and secure fastening of the roller carriers and stops with M6 bolts</li> <li>▶ a recess for a M6 (DIN7984) Allen head bolt with a centerline groove to accurately mark the position of the holes</li> <li>▶ only one version of stops</li> <li>▶ roller carrier equipped with two types of rollers: solid high-impact plastic roller with lateral play to overcome dimensional installation inaccuracies (red) and ball bearing roller with high-impact plastic (white)</li> <li>▶ the system FR 9001 allows the fabricator to create any size pull-out from individual components</li> </ul>
------------------------	---



<b>NOTES:</b>	▶ order number 9200 roller set, consisting of: 2 pieces solid rollers (tolerance compensating), (red), 2 pieces ball bearing rollers, (white), 4 pieces stops, 16 pieces M6x20 mm bolts (DIN7984), 24 pieces M6 square nuts (DIN557)
---------------	--

		Length																												
		Sold by the foot, 21 feet maximum																												
		mm												feet																
		Description																												
Length		18	20	22	24	26	28	30	32	34	36	38	40	44	48	52	56	60	64	68	72	76	80	84	88	92	96	100		
Extension		12.6	14	15.4	16.8	18.2	19.6	21	22.4	23.8	25.2	26.6	28	30.8	33.6	36.4	39.2	42	44.8	47.6	50.4	53.2	56	58.8	61.6	64.4	67.2	70		
A		2.7	3.3	3.9	4.5	5.1	5.7	6.3	6.9	7.5	8.1	8.7	9.3	10.5	11.7	12.9	14.1	15.3	16.5	17.7	18.9	20.1	21.3	22.5	23.7	24.9	26.1	27.3		
		Metric mm																												
Length		450	500	550	600	650	700	750	800	850	900	950	1000	1100	1200	1300	1400	1500	1600	1700	1800	1900	2000	2100	2200	2300	2400	2500		
Extension		315	350	385	420	455	490	525	560	595	630	665	700	770	840	910	980	1050	1120	1190	1260	1330	1400	1470	1540	1610	1680	1750		
A		66	81	96	111	126	141	156	171	186	201	216	231	261	291	321	351	381	411	441	471	501	531	561	591	621	651	681		

		Length		Required Components	Optional Components	Weight	Order No.
		mm	feet				
<b>Profile A Extrusion</b>	<b>6400</b>	<b>21 feet</b>		Profile A Extrusion		*	<b>92014</b>
<b>Roller Kit (see NOTES)</b>				Roller Kit		*	<b>9200</b>
<b>Profile B Extrusion</b>	<b>6400</b>	<b>21 feet</b>			Profile B Extrusion (Mounting or drawer construction components)	*	<b>92015</b>
<b>Profile C Extrusion</b>	<b>6400</b>	<b>21 feet</b>			Profile C Extrusion (Mounting or drawer construction components)	*	<b>92016</b>

\*on request

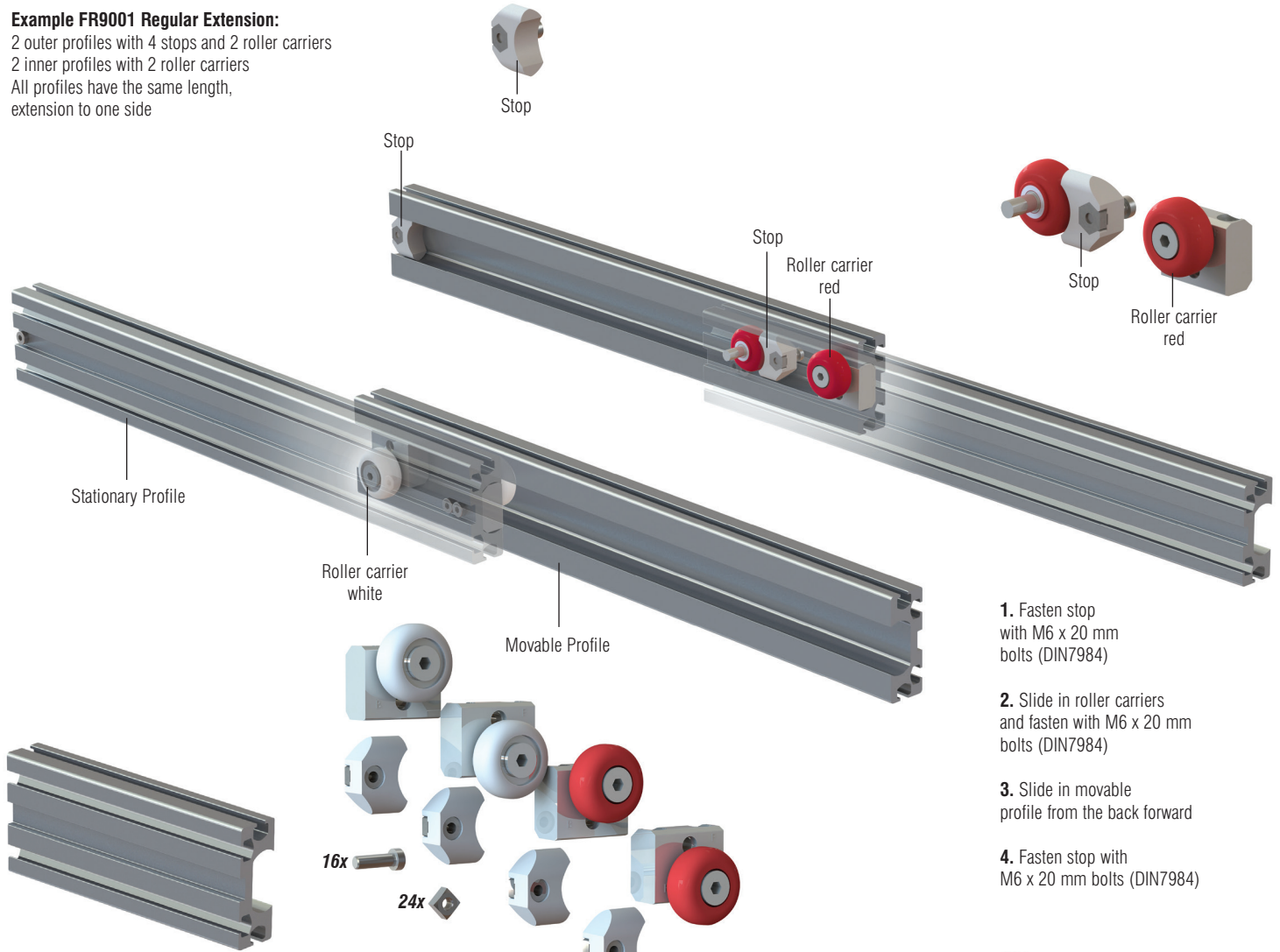
# FR 9001

<b>SLIDE TYPE:</b>	Modular Aluminum Sliding System
<b>MOUNTING:</b>	Bottom Mount or Side Mount

<b>WIDTH:</b>	58 mm (2.28 in.)
<b>LOAD CAPACITY:</b>	dynamic up to 225 kg (500 lbs.)

## Example FR9001 Regular Extension:

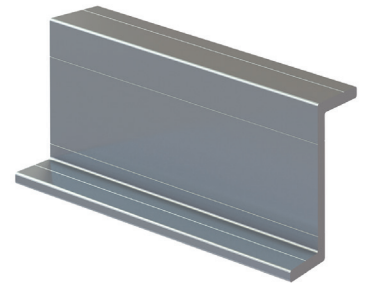
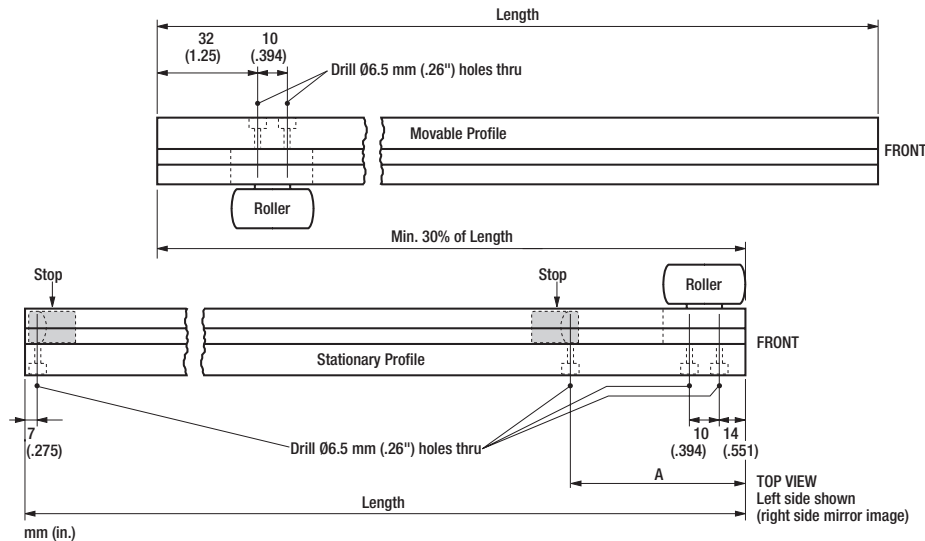
2 outer profiles with 4 stops and 2 roller carriers  
 2 inner profiles with 2 roller carriers  
 All profiles have the same length,  
 extension to one side



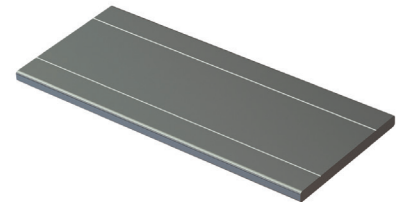
1. Fasten stop with M6 x 20 mm bolts (DIN7984)
2. Slide in roller carriers and fasten with M6 x 20 mm bolts (DIN7984)
3. Slide in movable profile from the back forward
4. Fasten stop with M6 x 20 mm bolts (DIN7984)

**Profile A:** Required Extrusion

**Roller Kit:** Required  
 2 pcs. ballbearing rollers, (white)  
 2 pcs. solid rollers (tolerance compensating), (red)  
 4 pcs. stops  
 16 pcs. M6 x 20 mm bolts (DIN7984)  
 24 pcs. M6 square nuts (DIN557)



**Profile B Extrusion:** Optional (Mounting or drawer construction components)

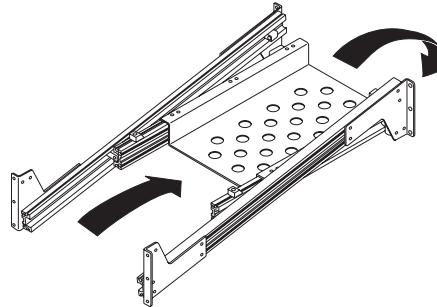


**Profile C Extrusion:** Optional (Mounting or drawer construction components)

# FR 9001

<b>SLIDE TYPE:</b>	Modular Aluminum Sliding System
<b>MOUNTING:</b>	Bottom Mount or Side Mount

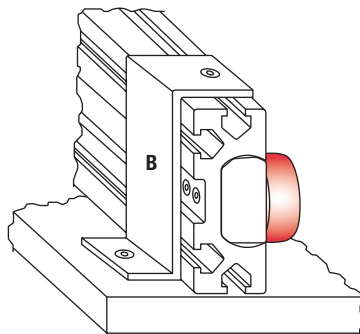
<b>WIDTH:</b>	58 mm (2.28 in.)
<b>LOAD CAPACITY:</b>	dynamic up to 225 kg (500 lbs.)



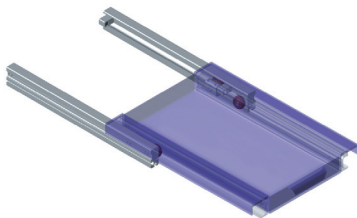
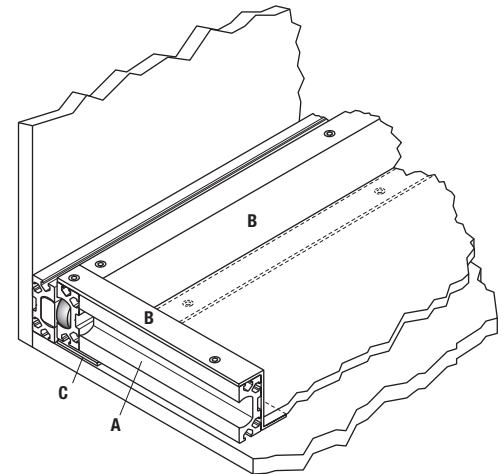
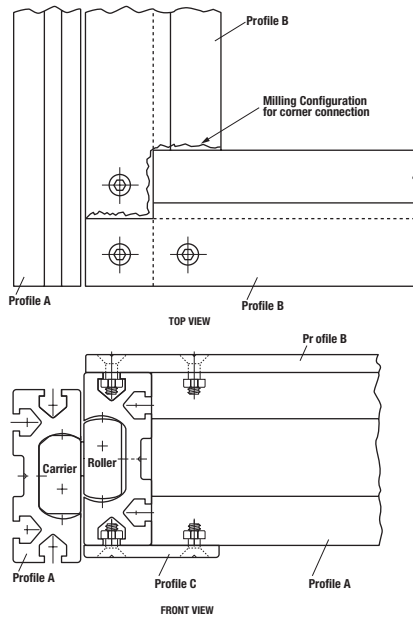
Tilt-down application with custom made brackets

Horizontal Application underneath tray

## Vertical Application

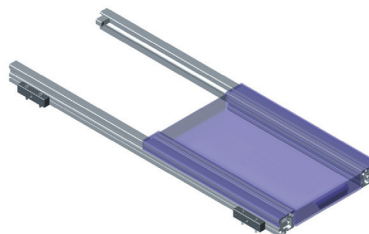


Profile B can also be used as a bracket for surface mounting



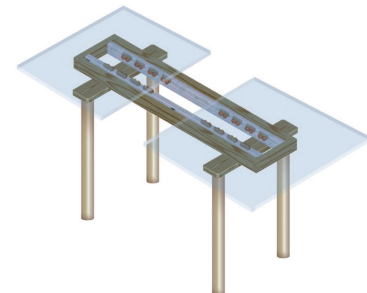
### Example FR9001 Regular Extension:

- ▶ 2 outer profiles with 4 stops and 2 roller carriers
- ▶ 2 inner profiles with 2 roller carriers
- ▶ all profiles have the same length, extension to one side



### Example FR9001 Regular Extension:

- ▶ 2 outer profiles with 4 stops
- ▶ 2 inner profiles with 4 roller carriers
- ▶ different lengths of profiles, extension to both sides

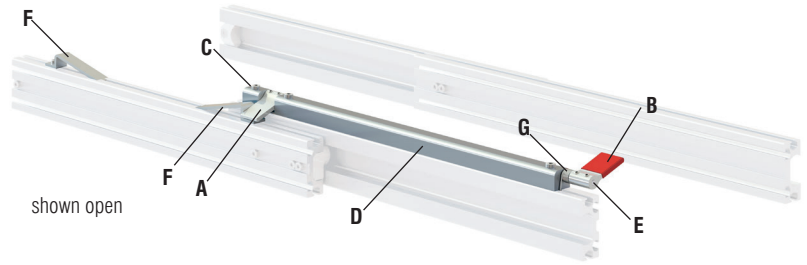
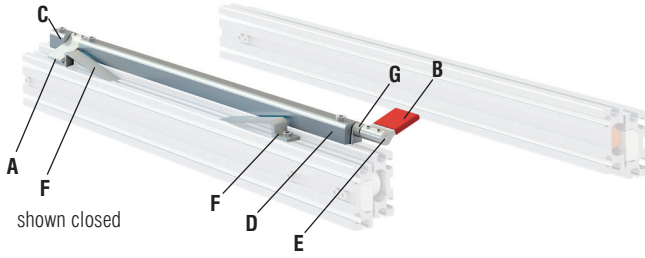


### Example FR9001 Table Extension:

- ▶ 2 outer profiles with 6 stops
- ▶ table top with roller carriers arranged in pairs

# FR 9001 Lock & Stop

PRODUCT TYPE: Lock & Stop System for FR 9001

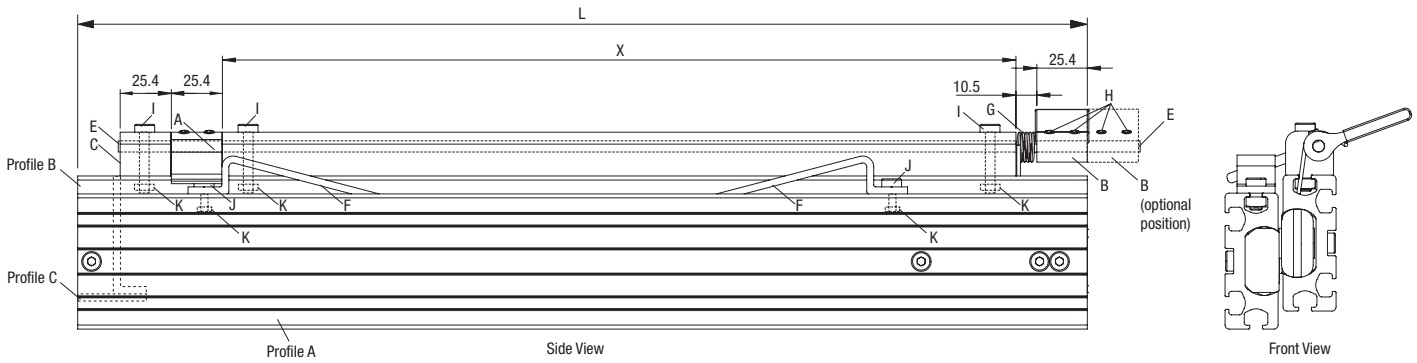
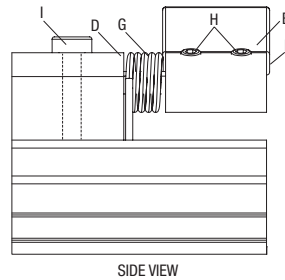
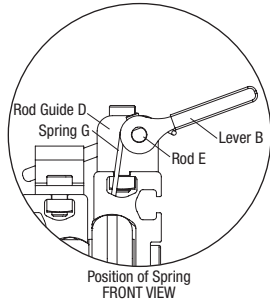


**MATERIALS:** aluminum and steel

**FEATURES:** lock & stock system for use with FR 9001 aluminum slide system

**SPECIFICATIONS:**

- ▶ order number 92018: profile D extrusion, 6400 mm (21 feet) sold by foot or 92018C profile D extrusion 25.4mm (1 inch)
- ▶ order number 92021: rod E, steel, 6 mm diameter x 2000 mm (78 in.) long sold by piece
- ▶ order number 9202: Lock and Stop Set, consisting of: 1 piece Lock lever (A), 1 piece Release lever (B), 1 piece Rod guide (C), 2 pieces Ramp (F), 1 piece Spring (G), 4 pieces Set screws M5 x 6 mm (H), 3 pieces Bolt



Inches

Length	18	20	22	24	26	28	30	32	34	36	38	40	44	48	52	56	60	64	68	72	76	80	84	88	92	96	100
Extension	12.6	14	15.4	16.8	18.2	19.6	21	22.4	23.8	25.2	26.6	28	30.8	33.6	36.4	39.2	42	44.8	47.6	50.4	53.2	56	58.8	61.6	64.4	67.2	70
X	15.7	17.7	19.7	21.7	23.7	25.7	27.7	29.7	31.7	33.7	35.7	37.7	41.7	45.7	49.7	53.7	57.7	61.7	65.7	69.7	73.7	77.7	81.7	85.7	89.7	93.7	97.7

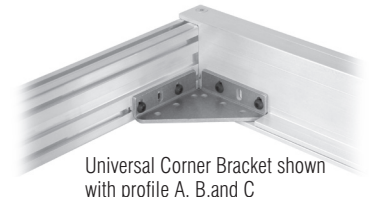
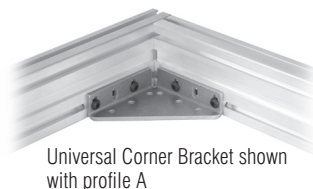
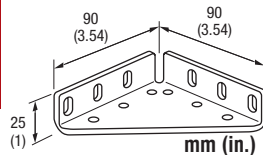
Metric mm

Length	450	500	550	600	650	700	750	800	850	900	950	1000	1100	1200	1300	1400	1500	1600	1700	1800	1900	2000	2100	2200	2300	2400	2500
Extension	315	350	385	420	455	490	525	560	595	630	665	700	770	840	910	980	1050	1120	1190	1260	1330	1400	1470	1540	1610	1680	1750
X	392	442	492	542	592	642	692	742	792	842	892	942	1042	1142	1242	1342	1442	1542	1642	1742	1842	1942	2042	2142	2242	2342	2442

Description	Note	Weight		Order No.
		kg.	lbs.	
Lock & Stop ( see specifications)		*		9202
Profile D Extrusion, 25.4 mm (1 inch)	sold by the piece	*		92018C
Profile D Extrusion, 6400 mm (21 feet)	sold by the foot	*		92018**
Rod E, 6 mm diameter x 200 mm (78 in.) long	sold by the piece	*		92021

\*\*non stocking item, inquire for lead time

# FR 9001 Corner Bracket



Description	Order No.
Universal corner Bracket, aluminum	92020
Packing Unit: 1 piece	

# Mounting Recommendations

## FR9001 Aluminum Sliding System (4 T-Slots)

Roller set consists of (see illustration on page 2):  
2 pieces Solid Rollers (red), tolerance compensating  
2 pieces Ballbearing Rollers (white)  
4 pieces Stops  
16 pieces M6x20mm Socket Head Bolts

The roller carriers are marked with:  
**F** for Front  
**B** for Back

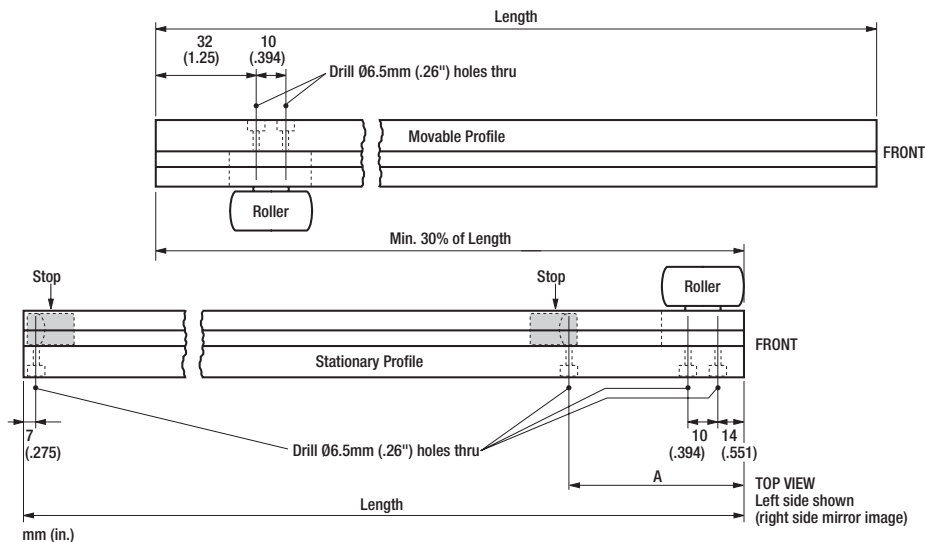
### FR9001 (4 T-Slots)

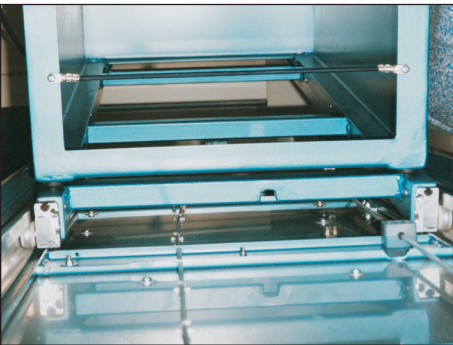
For the **FR9001 (4 T-Slots)** profile this **has to be reversed** because the profile is a **symmetric shape**. This means that on the **stationary profile** the **B** roller and carrier are mounted on the **front** and on the **movable profile** the **F** roller and carrier are mounted on the **back**.

In order to check if it is **correct** you must notice a **slight incline** of the movable profile from back to front. This compensates for the deflection under load.

Please note that in each set are **white** and **red** rollers.  
**You must use the same color** roller on each side. Never use a white and red roller on the same side.

Follow the included instructions to drill all holes for **roller carriers** and **stops**.





... only a few exemplary versions shown.

In the automotive industry and specialty vehicle industry adding weight is of the greatest concern.

With the FR 9001 Aluminum Sliding System, big loads can be moved with little effort, yet the sliding system is light weight.

The FR 9001 has its place where simple application, light weight and resistance to corrosion is an issue. But at the same time high load capacity and dependability are of greatest importance.

FR 9001 - another Fullterer product for specialists and experts.