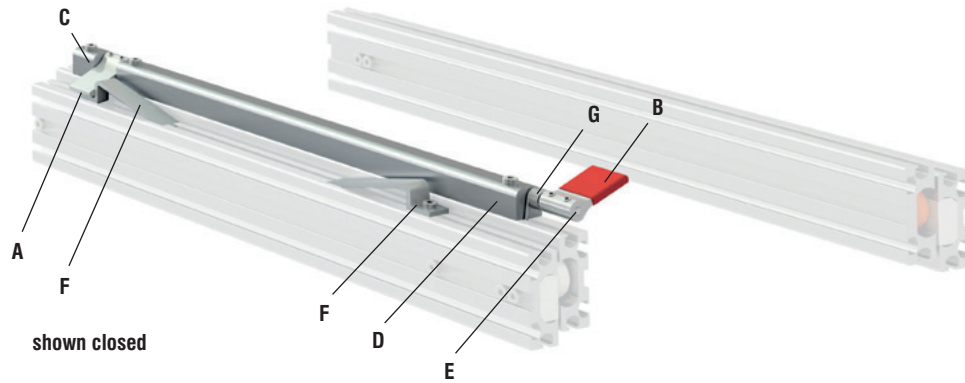


# FR 9001 Lock & Stop | for FR 9001



## Specifications

aluminium and steel

## Characteristics

- lock & stop system for use with FR 9001 aluminum slide system
- consisting of:  
1 piece Lock lever (A), 1 piece Release lever (B), 1 piece Rod guide (C), 2 pieces Ramp (F), 1 piece Spring (G), 4 pieces Set screws M5 x 6 mm, 3 pieces Bolt

Type		Weight		Item No.
		per set		
		kg	lbs.	
<b>Lock &amp; Stop</b>		*	*	<b>9202</b>
<b>Profile D Extrusion</b>	Length 6,400.0 mm / 252.00 in.	*	*	<b>92018</b>
<b>Profile D Extrusion</b>	Length 25.4 mm / 1.00 in.	*	*	<b>92018C</b>
<b>Rod E</b>	Length 400.0 mm / 78.74 in.	*	*	<b>92021</b>

Packing Unit – Sets: 1

\* on request