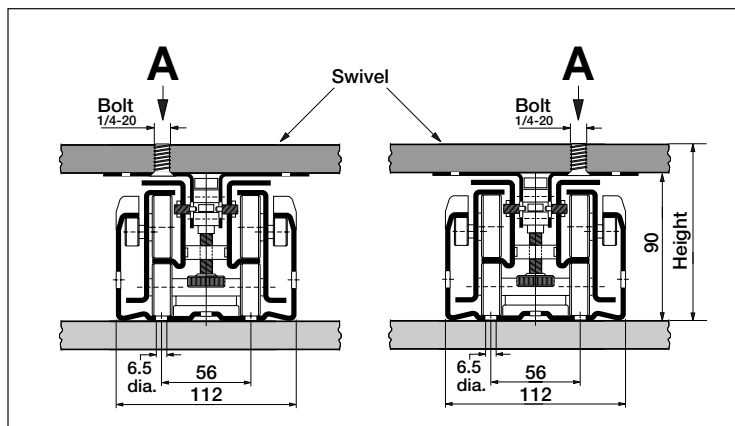
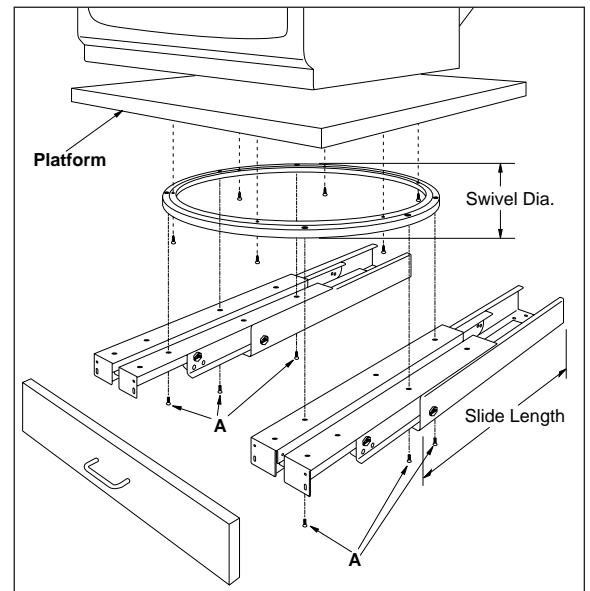
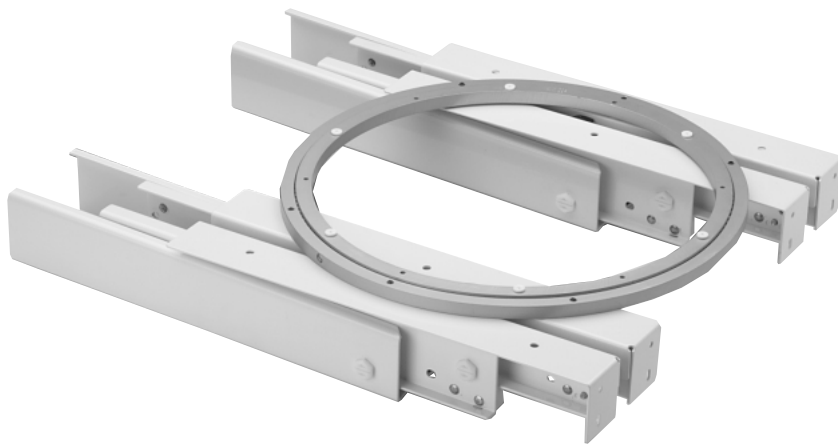
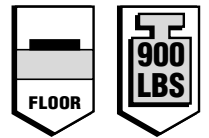


Mounting Instructions

FR 874, FR 876 Progressive-action Full-Extension Heavy-Duty TV Swivel



Features

- ⇒ The TV-Swivel with the highest load rating in the industry
- ⇒ The integrated progressive-action movement optimizes the running qualities to its fullest
- ⇒ Zero deflection thru patented inner profiles
- ⇒ On request we can custom make lengths of slides up to 1100mm (44in.) and a swivel with 750mm (30in.) diameter

1. Attach swivel to slides with the threaded bolts (**A**) at the appropriate hole locations.
2. Attach platform to swivel with #7 wood screws. Use all available holes.
3. Make sure platform is thick enough so that it does not bow under the weight of the TV.
4. Attach slides with through bolts to cabinet shelf.

IMPORTANT

Make sure that all structural parts of the cabinet are sound and all joinery is strong enough to support the weight of the TV. Make sure that the cabinet is attached to the wall or floor securely so that tipping over of the cabinet is not possible when slides are fully extended.