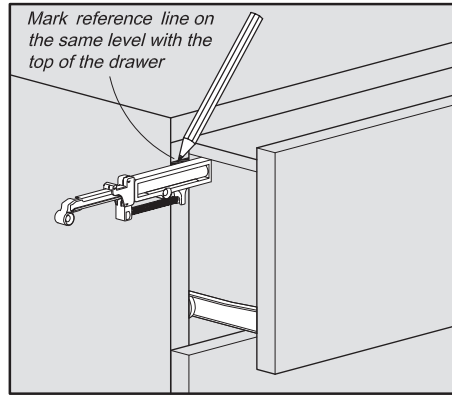


# Fulterer

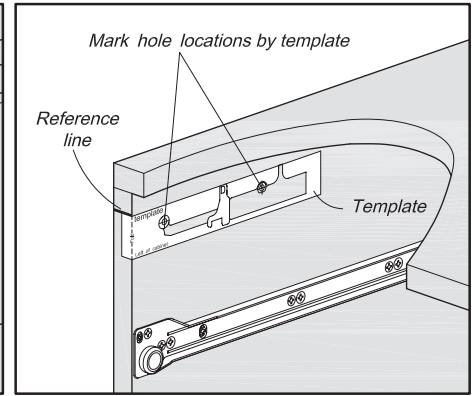
## APPLICATIONS:

- For mounting to wooden drawer and cabinet.
- For Euro Slide or Ball Bearing slide (**remove rubber hold close device on ball bearing slide**).
- Width of gap **10mm to 13.5mm (per side)**.
- Option for left or right handed fixing.

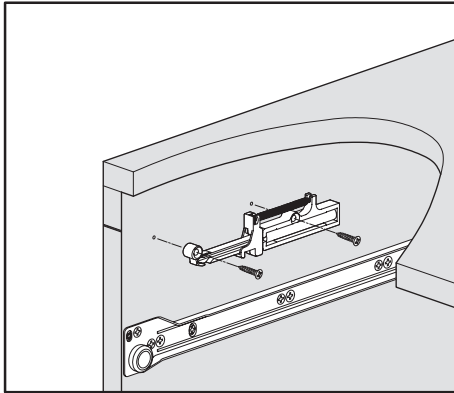
### Step 1: Mark reference line



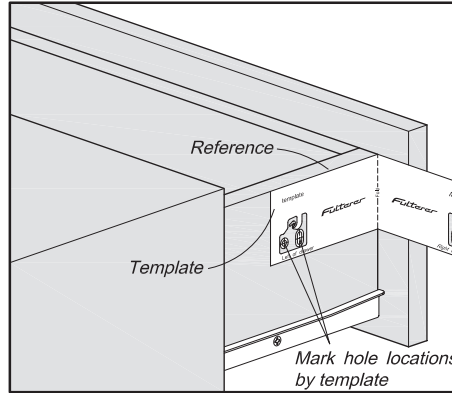
### Step 2: Mark hole locations



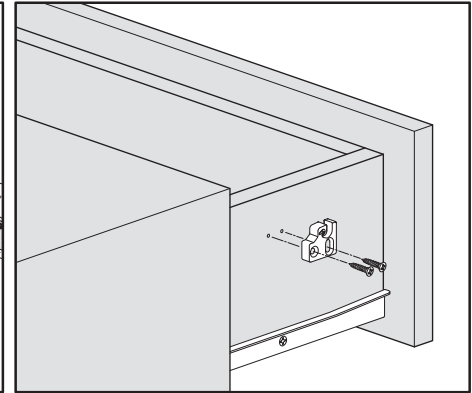
### Step 3: Attach the "Body" to cabinet



### Step 4: Mark hole locations

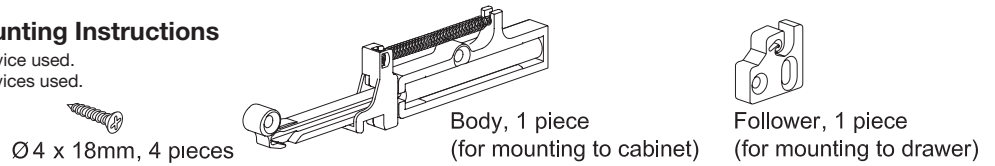


### Step 5: Attach the "Follower" to drawer

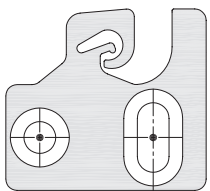


## FR8002.ECD Easy Close Device Mounting Instructions

Up to 40 lbs. drawer capacity with one Easy-Close-Device used.  
Up to 80 lbs. drawer capacity with two Easy-Close-Devices used.  
NOTE: Required width clearance is 10mm to 13.5mm (0.39 inches to 0.53 inches)



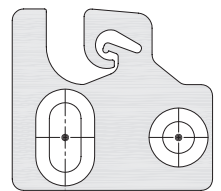
template



Fulterer

Fold

Fulterer



template

Left of drawer



77mm (3.03 in.)

77mm (3.03 in.)



Right of drawer

Right of cabinet  
Fold  
32mm (1.25 in.)  
Fold  
32mm (1.25 in.)  
Left of cabinet

