

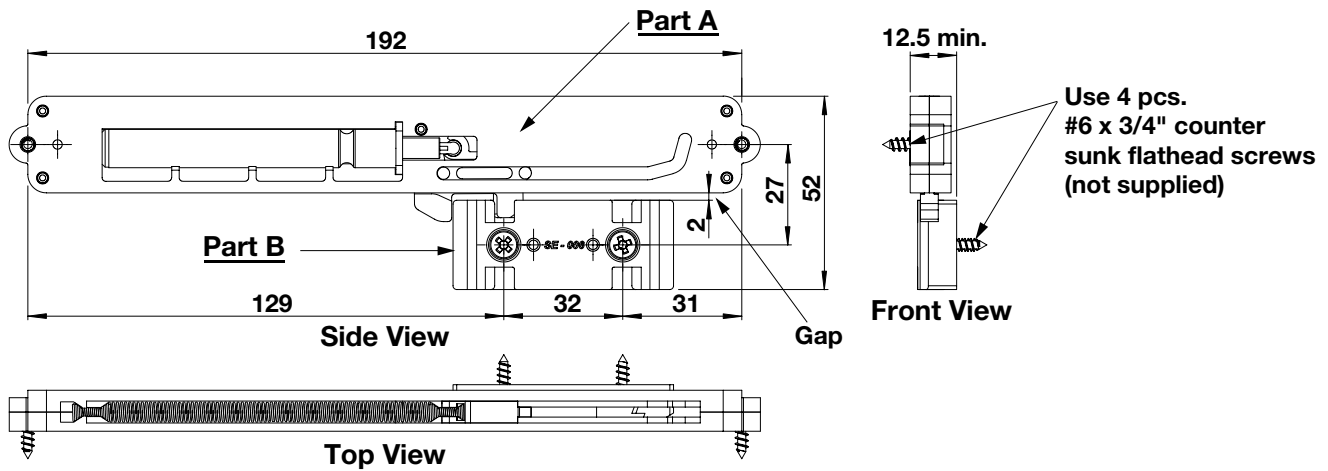
Mounting Instructions

FR 8001 E-Z-Close Automatic Self-closing and Anti-slamming Device

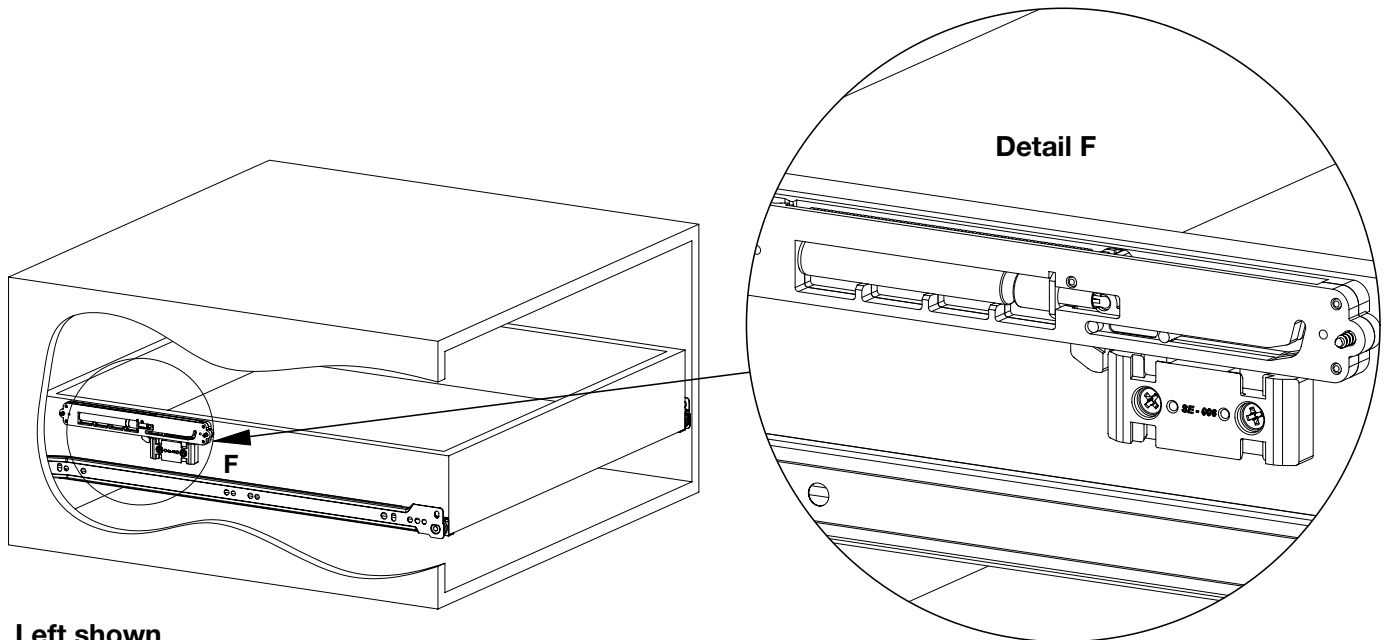
- 1** Attach part A to the side of the cabinet as indicated.
Attach part B to the side of the drawer as indicated.

Be sure that the 2mm Gap is maintained thru the whole stroke of the engagement.

Be sure that the clearance between the drawer and the side of the cabinet is a min. of 12.5mm (1/2in.).



Left shown, closed position



Left shown