

FR 790.SCC.SC



| | |
|--------------------|--|
| SLIDE TYPE: | Progressive-Action Full-Extension Drawer Slide |
| MOUNTING: | Side Mount |

| | |
|------------------|--|
| WIDTH: | 18 mm (0.71 in.) |
| LOAD: | dynamic up to 80 kg (175 lbs) full-ext. |
| CAPACITY: | dynamic up to 65 kg (150 lbs) over-ext. |



| | |
|------------------|-----------------|
| MATERIAL: | stainless steel |
|------------------|-----------------|

| | |
|------------------|-----------------------|
| FEATURES: | solid Delrin* rollers |
|------------------|-----------------------|

SPECIFICATIONS:

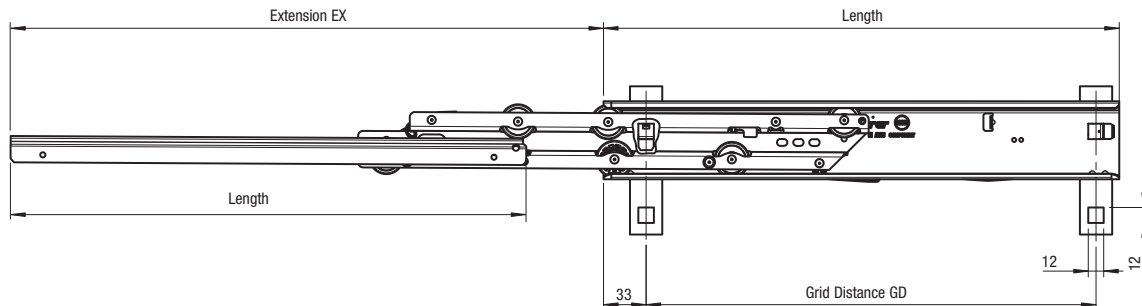
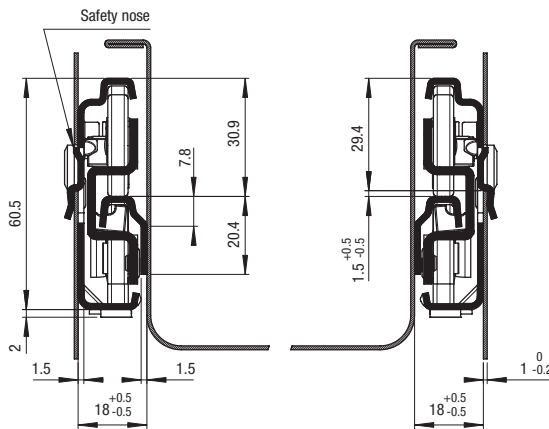
- ▶ cabinet profile with bayonet mounting tabs
- ▶ drawer profile for welding
- ▶ high lateral stability through specially formed middle profile (material thickness 2 mm, (0.8 in.) and guide rollers
- ▶ ideal running characteristic and smoothness of running through integrated progressive-action
- ▶ lift out prevention clip mounted in middle profile
- ▶ double-sided captive profile
- ▶ self closing, soft stop
- ▶ operating temperature range -20° C to +80° C (-4° F to 176° F)

NOTE:

- ▶ compatible with regular-extension drawer slide FR 1052.SCC

OPTIONS:

- ▶ on request, also available in a heat resistant version for up to 110° C (230° F) – load capacity 50 kg (full-ext.), 40 kg (over-ext.)



| Length | EX | | EX | | GD | Weight | | Order No. | Order No. | | |
|--------|-------|-----|--------------|-----|-------|--------------|-------|-----------|-----------|-------------|------|
| | mm | in | full-ext. mm | in | | over-ext. mm | in | | | per pair kg | lbs |
| 350 | 13.78 | 335 | 13.19 | 410 | 16.14 | 299 | 11.77 | 1.62 | 3.57 | * | * |
| 400 | 15.75 | 385 | 15.16 | 460 | 18.11 | 349 | 13.74 | 1.68 | 3.70 | * | 8021 |
| 450 | 17.72 | 435 | 17.13 | 510 | 20.08 | 399 | 15.71 | 2.10 | 4.63 | * | * |
| 500 | 19.69 | 485 | 19.09 | 560 | 22.05 | 449 | 17.68 | 2.34 | 5.16 | * | 8023 |
| 550 | 21.65 | 535 | 21.06 | 610 | 24.02 | 499 | 19.65 | 2.58 | 5.69 | * | 8024 |
| 600 | 23.62 | 585 | 23.03 | 660 | 25.98 | 549 | 21.61 | 2.82 | 6.22 | * | 8025 |
| 650 | 25.59 | 635 | 25.00 | 710 | 27.95 | 599 | 23.58 | 3.06 | 6.75 | * | 7926 |
| 700 | 27.56 | 685 | 26.97 | 760 | 29.92 | 649 | 25.55 | 3.30 | 7.28 | * | 8027 |
| 750 | 29.53 | 735 | 28.94 | 810 | 31.89 | 699 | 27.52 | 3.54 | 7.81 | * | * |

Packing Unit: 5 sets per box

* on request

*DuPont (TM) Delrin®

