


FR 712 CNS | Locking System

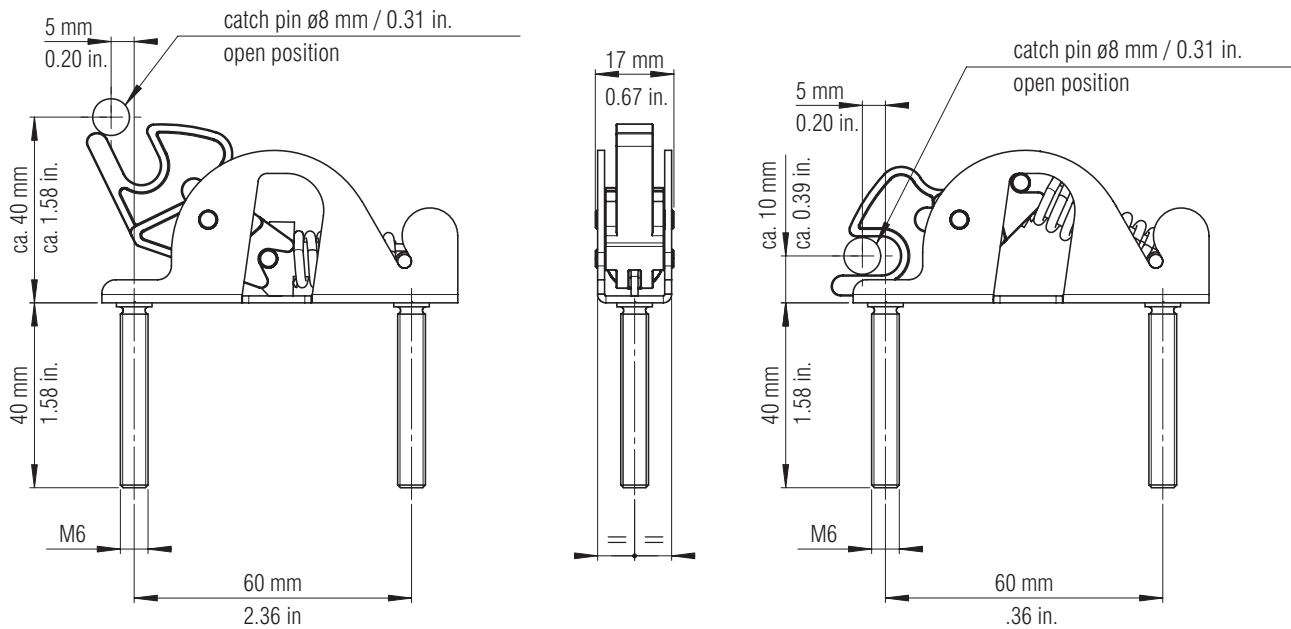


Specifications

 stainless steel 1.4301 / 304

Characteristics

- positive locking device with compression spring
- retention function via compression spring
- mounting via 2 threaded bolts
- supplied without catch pin



Designation

Locking System

Item No.

6100067

Packing Unit – Piece: 1