

FR 5826

SLIDE TYPE:	Super Heavy Duty Lightweight Aluminum Slide
MOUNTING:	Side Mount

WIDTH:	26.0 mm ^{+0.4} / ₋₀ (1.024 in.)
LOAD CAPACITY:	dynamic up to 300 kg (660 lbs.)

NEW!



MATERIALS: aluminum profiles

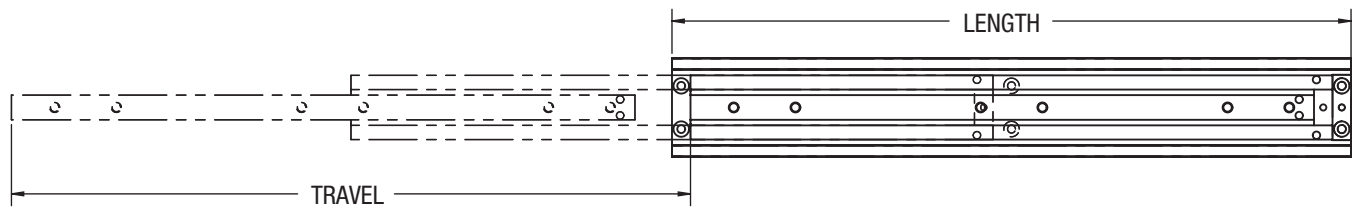
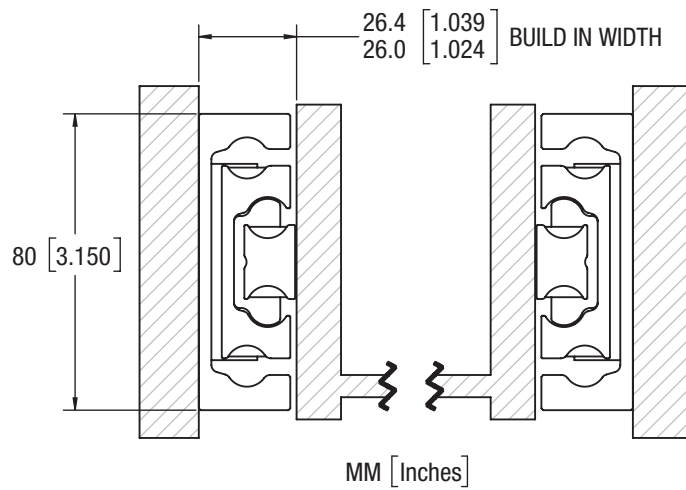
FEATURES: lightweight, high weight capacity, non-corrosive profiles

SPECIFICATIONS:

- ▶ non-handed and non-disconnect
- ▶ flat mounting possible, weight rating reduced

HARDWARE:

- ▶ Cabinet: M6 Flathead Screws
- ▶ Drawer M8 x 1.25 screws



DESCRIPTION	LENGTH (mm)	LENGTH (INCHES)	TRAVEL (mm)	TRAVEL (INCHES)	PART NUMBER
FR 5826- 300	300	11.81	300	11.81	5661
FR 5826- 350	350	13.78	350	13.78	5662
FR 5826- 400	400	15.75	400	15.75	5663
FR 5826- 450	450	17.72	450	17.72	5664
FR 5826- 500	500	19.69	500	19.69	5665
FR 5826- 550	550	21.65	550	21.65	5666
FR 5826- 600	600	23.62	600	23.62	5667
FR 5826- 650	650	25.59	650	25.59	5668
FR 5826- 700	700	27.56	700	27.56	5669
FR 5826- 750	750	29.53	750	29.53	5670
FR 5826- 800	800	31.50	800	31.50	5671
FR 5826- 850	850	33.46	850	33.46	5672
FR 5826- 900	900	35.43	900	35.43	5673
FR 5826- 950	950	37.40	950	37.40	5674
FR 5826-1000	1000	39.37	1000	39.37	5675

Packing Unit: 300-750mm 6 pieces per box, 800-1000mm 4 pieces per box

Fulterer®