

Mounting Instructions

FR5755 Series Ballbearing Full-Extension Drawerslide

Lengths: 300 to 700mm (12 to 28in.)

This Package contains one high-quality ballbearing slide set (2 slides) including screws and Mounting instructions.

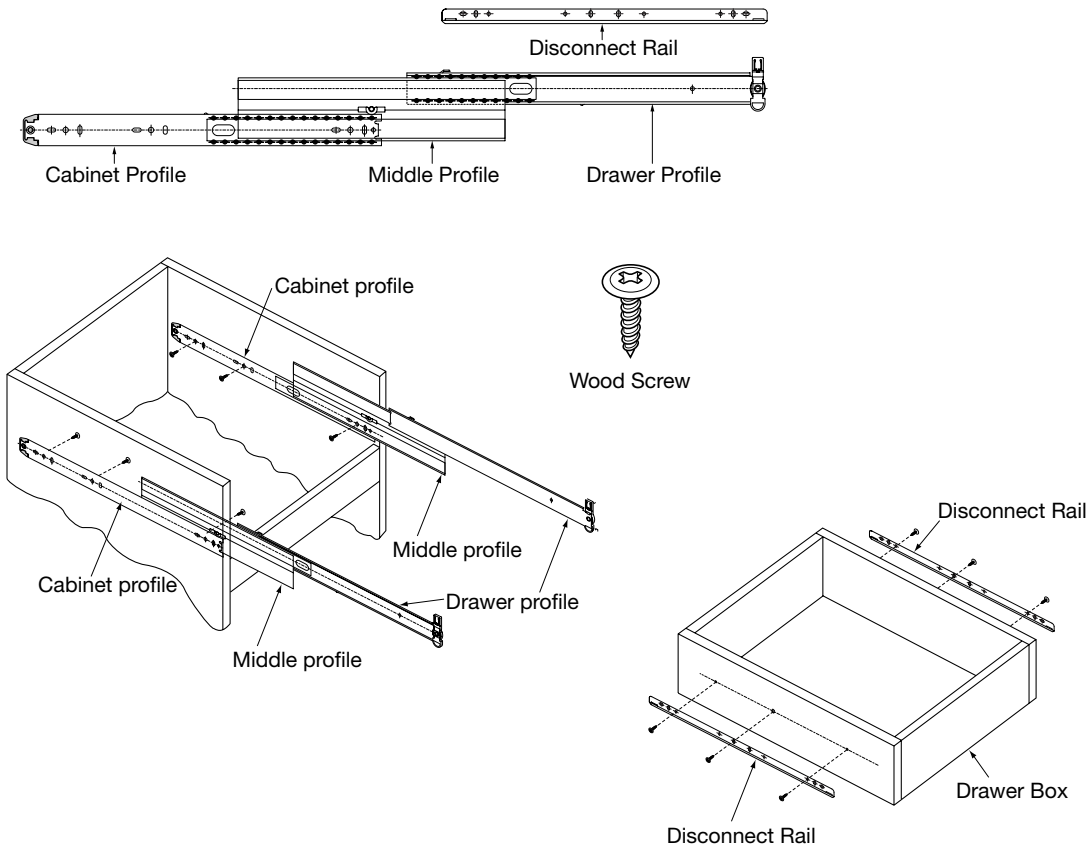
Item#	Description	Length	Color	Item#	Description	Length	Color
6000190	FR5755	300mm/12in.	Zinc	6000195	FR5755	550mm/22in.	Zinc
6000191	FR5755	350mm/14in.	Zinc	6000196	FR5755	600mm/24in.	Zinc
6000192	FR5755	400mm/16in.	Zinc	6000197	FR5755	650mm/26in.	Zinc
6000193	FR5755	450mm/18in.	Zinc	6000199	FR5755	700mm/28in.	Zinc
6000194	FR5755	500mm/20in.	Zinc				

Before you begin

- Read all instructions thoroughly before beginning installation.
- Make sure you have all parts required before beginning installation.

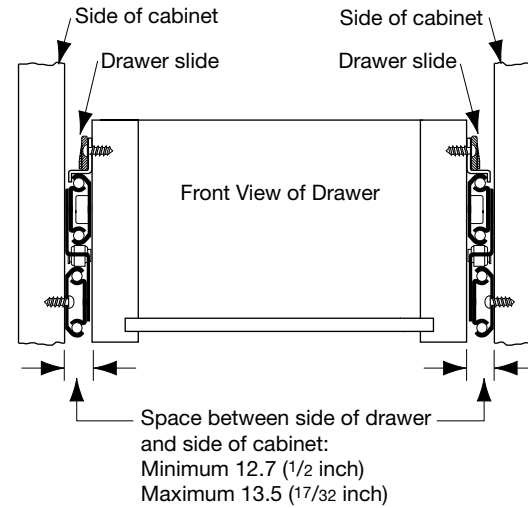
Step 1.

- Identify the different parts of the drawerslide:
 - a) drawer profile (removable)
 - b) middle profile
 - c) cabinet profile
 - d) disconnect rail



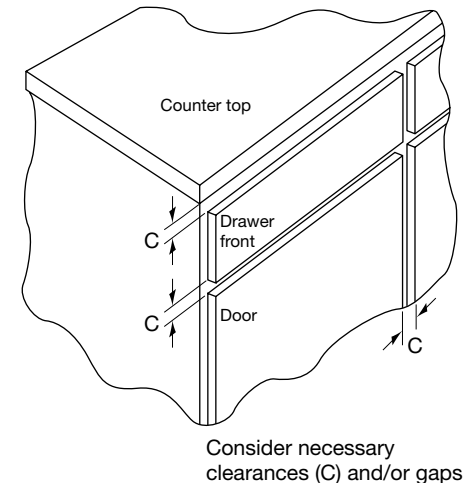
Step 2.

Check that the side clearance between drawer and cabinet side is at least 12.7mm (1/2in.) on each side. Maximum allowable clearance is 13.5mm (17/32 in.)



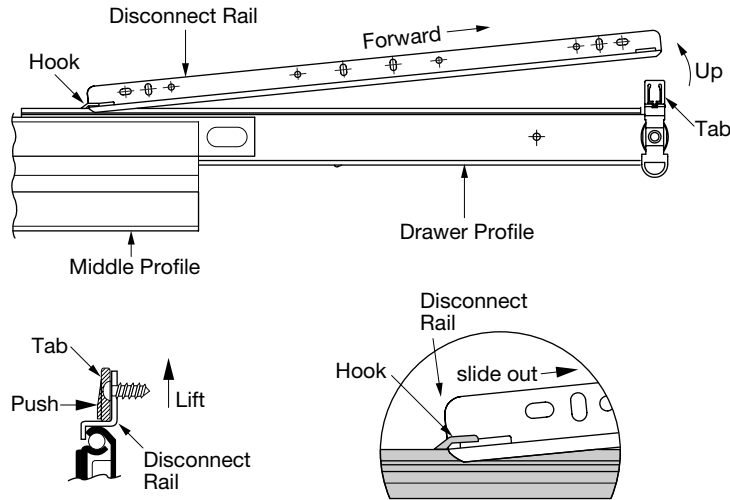
Step 3.

Determine where to locate the drawerslide on the cabinet and on the drawer. Take into consideration the clearances required if a drawer front is attached to the drawer. A drawer front must clear towards the top, side and bottom if a countertop or adjoining drawer fronts and doors are present.



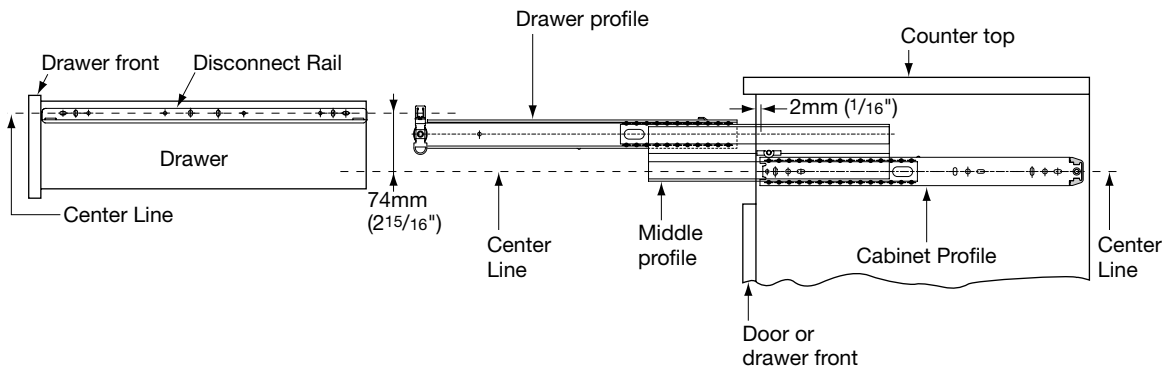
Step 4.

To separate the disconnect rail from the drawer profile push in the tab on front, lift up disconnect rail and slide out from underneath the hook on rear of drawer profile.



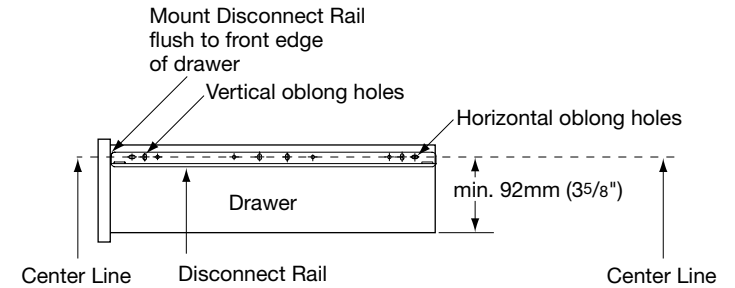
Step 5.

- Mark your centerlines on both the cabinet sides and drawer box as illustrated.
- Attach cabinet profile to the inside of cabinet on centerline as illustrated with the appropriate screws.



Step 5. (continued):

- Attach disconnect rail to the side of the drawer on centerline as illustrated with the appropriate screws.



Step 6

- Check the alignment of the drawer, the drawer front and all the clearances before tightening all screws.
- Drawers should move smoothly without any binding.
- Installation is now complete.

Tip:

Using only 2 screws first in a front and rear oblong hole will allow fine adjustment up or down or in and out before final attachment on the round holes is made.

Disclaimer: Fulterer drawerslides warranty and liability is expressly limited to the replacement of the defective goods and not any consequential or incidental damages. Any warranty claims may be reported on our web site: www.fultererusa.com