









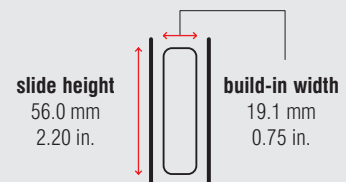
### Specifications

-  side mount
-  19.1 mm / 0.75 in.
-  dynamic up to 115 kg / 254 lbs.
-  ball bearing cages
-  steel, zinc plated
-  +5 °C to +40 °C  
+41 °F to +104 °F

### Characteristics

- drawer profile with disconnect release trigger
- symmetrical design
- from length 304.8 mm (12 in.) to length 711.2 mm (28 in.) with standard over extension of 25 mm (1 in.)

### Dimensions



Length		Extension		Weight		Item No.
				per set		zinc plated
mm	inch	mm	inch	kg	lbs.	
254.0	10	254.0	10	*	*	*
304.8	12	330.2	13	*	*	*
355.6	14	381.0	15	*	*	*
406.4	16	431.8	17	*	*	*
457.2	18	482.6	19	*	*	*
508.0	20	533.4	21	*	*	*
558.8	22	584.2	23	*	*	*
609.6	24	635.0	25	*	*	*
660.4	26	685.8	27	*	*	*
711.2	28	736.6	29	*	*	*
762.0	30	762.0	30	*	*	*
812.8	32	812.8	32	*	*	*
863.6	34	863.6	34	*	*	*
914.4	36	914.4	36	*	*	*
965.2	38	965.2	38	*	*	*
1,016.0	40	1,016.0	40	*	*	*
1,066.8	42	1,066.8	42	*	*	*
1,117.6	44	1,117.6	44	*	*	*

Packing Unit – Sets per Box: from 254.0 to 457.2 mm: **8** | from 508.0 to 609.6 mm: **6** | from 660.4 to 1,117.6 mm: **4**

\* on request