







# FR 5609 ECD SMT | Full Extension Ball Bearing Slide



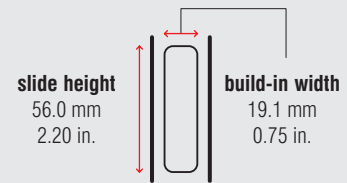
## Specifications

-  side mount
-  19.1 mm / 0.75 in.
-  dynamic up to 115 kg / 254 lbs.
-  ball bearing cages
-  steel, zinc plated
-  +5 °C to +40 °C  
+41 °F to +104 °F

## Characteristics

- cabinet and drawer profiles with Standard Mounting Tabs (SMT)
- drawer profile with disconnect release trigger
- from length 304.8 mm (12 in.) to length 711.2 mm (28 in.) with standard over extension of 25 mm (1 in.)

## Dimensions



| Length  |      | Extension |      | Weight  |      | Item No.                       | Item No.                       |
|---------|------|-----------|------|---------|------|--------------------------------|--------------------------------|
|         |      |           |      | per set |      | 1.5 mm / 16 ga.<br>zinc plated | 1.9 mm / 14 ga.<br>zinc plated |
| mm      | inch | mm        | inch | kg      | lbs. |                                |                                |
| 254.0   | 10   | 254.0     | 10   | *       | *    | *                              | *                              |
| 304.8   | 12   | 330.2     | 13   | *       | *    | *                              | *                              |
| 355.6   | 14   | 381.0     | 15   | *       | *    | *                              | *                              |
| 406.4   | 16   | 431.8     | 17   | *       | *    | *                              | *                              |
| 457.2   | 18   | 482.6     | 19   | *       | *    | *                              | *                              |
| 508.0   | 20   | 533.4     | 21   | *       | *    | *                              | *                              |
| 558.8   | 22   | 584.2     | 23   | *       | *    | *                              | *                              |
| 609.6   | 24   | 635.0     | 25   | *       | *    | *                              | *                              |
| 660.4   | 26   | 685.8     | 27   | *       | *    | *                              | *                              |
| 711.2   | 28   | 736.6     | 29   | *       | *    | *                              | *                              |
| 762.0   | 30   | 762.0     | 30   | *       | *    | *                              | *                              |
| 812.8   | 32   | 812.8     | 32   | *       | *    | *                              | *                              |
| 863.6   | 34   | 863.6     | 34   | *       | *    | *                              | *                              |
| 914.4   | 36   | 914.4     | 36   | *       | *    | *                              | *                              |
| 965.2   | 38   | 965.2     | 38   | *       | *    | *                              | *                              |
| 1,016.0 | 40   | 1016.0    | 40   | *       | *    | *                              | *                              |
| 1,066.8 | 42   | 1066.8    | 42   | *       | *    | *                              | *                              |
| 1,117.6 | 44   | 1117.6    | 44   | *       | *    | *                              | *                              |

Packing Unit – Sets per Box: from 254.0 to 457.2 mm: **8** | from 508.0 to 609.6 mm: **6** | from 660.4 to 1,117.6 mm: **4**

\* on request