

FR 5432

SLIDE TYPE:	Heavy Duty 150% Extension Ball Bearing Slide
MOUNTING:	Side Mount

WIDTH:	32.0 mm ^{+0.4} / ₋₀ (1.26 in.)
LOAD CAPACITY:	dynamic up to 200 kg (440 lbs.)

NEW!



MATERIALS: steel roll formed and machined profiles

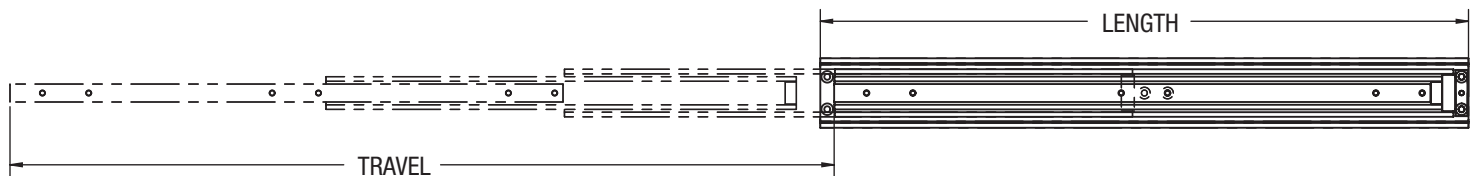
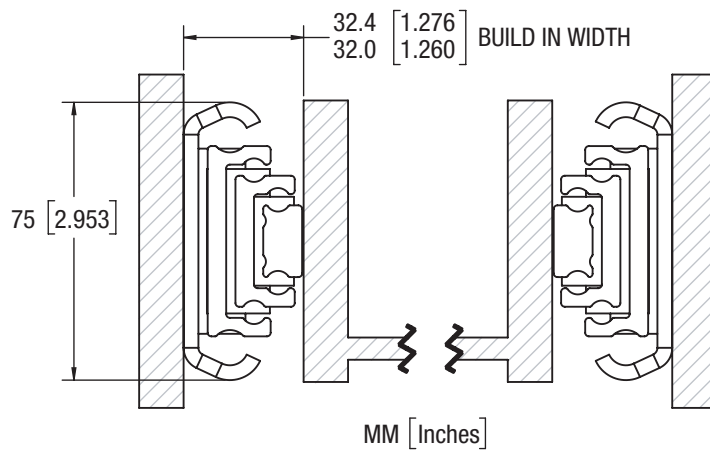
FEATURES: 50% Over-extension

SPECIFICATIONS:

- ▶ non-handed and non-disconnect
- ▶ flat mounting possible, weight rating reduced

HARDWARE:

- ▶ Cabinet: M6 Flathead Screws
- ▶ Drawer M6 x 1.0 screws



DESCRIPTION	LENGTH (mm)	LENGTH (INCHES)	TRAVEL (mm)	TRAVEL (INCHES)	PART NUMBER
FR 5432- 300	300	11.81	465	18.31	5581
FR 5432- 350	350	13.78	540	21.26	5582
FR 5432- 400	400	15.75	615	24.21	5583
FR 5432- 450	450	17.72	690	27.17	5584
FR 5432- 500	500	19.69	765	30.12	5585
FR 5432- 550	550	21.65	840	33.07	5586
FR 5432- 600	600	23.62	915	36.02	5587
FR 5432- 650	650	25.59	990	38.98	5588
FR 5432- 700	700	27.56	1065	41.93	5589
FR 5432- 750	750	29.53	1140	44.88	5590
FR 5432- 800	800	31.50	1215	47.83	5591
FR 5432- 850	850	33.46	1290	50.79	5592
FR 5432- 900	900	35.43	1365	53.74	5593
FR 5432- 950	950	37.40	1440	56.69	5594
FR 5432-1000	1000	39.37	1515	59.65	5595

Packing Unit: 300-550mm 4 pieces per box, 600-1000mm 2 pieces per box

Fulterer®