

FR 5219

SLIDE TYPE:	Heavy-Duty Full-Extension Ball Bearing Drawer Slide - with interlock & anti-tilt function
MOUNTING:	Side Mount

WIDTH:	12.9 mm (0.51 in.)
LOAD CAPACITY:	dynamic up to 90 kg (200 lbs.)

New Product
Please inquire for lead time



FR5219 Interlock & anti-tilt closing mechanism

MATERIALS:	cold rolled steel
-------------------	-------------------

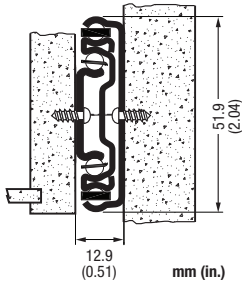
FEATURES:	steel ball bearings
------------------	---------------------

SPECIFICATIONS:

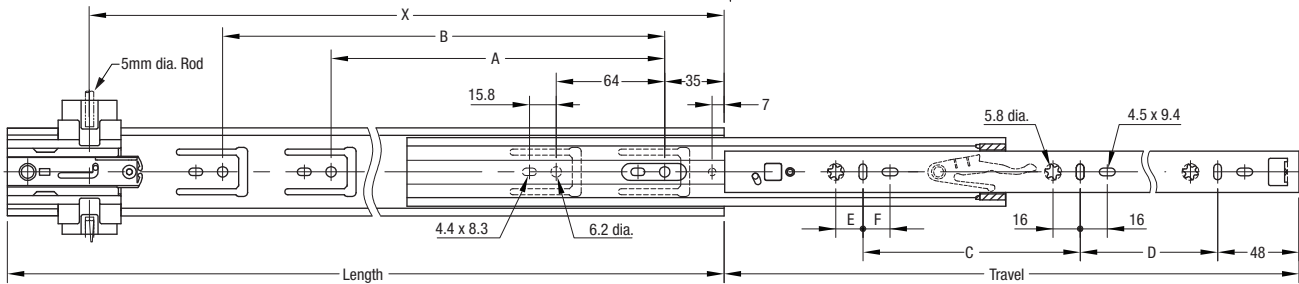
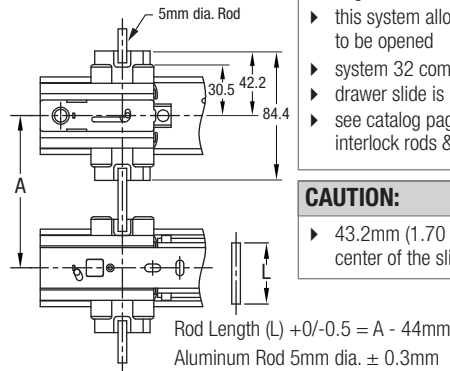
- ▶ precision ball bearing drawer slide for heavy-duty applications in office furniture, architectural milwork and institutional applications
- ▶ drawer profile features an easy to operate disconnect finger release trigger
- ▶ this system allows only one drawer at a time to be opened
- ▶ system 32 compatible hole locations
- ▶ drawer slide is non-handed
- ▶ see catalog pages for required 5019, 5219, and 5619 interlock rods & optional FR 5218 locking system

CAUTION:

- ▶ 43.2mm (1.70 in.) is the minimum clearance from the center of the slide to the bottom panel



12.9 mm (0.51 in.) is the actual size of the slide. Allow a min. of 13mm (.51 in.) for clearance and a maximum of 13.5mm (.53 in.)



Length mm in	Travel mm in	Cabinet Profile:			Drawer Profile:				Weight kg. lbs.	Order No. black	Order No. zinc
		A mm in	B mm in	X mm in	C mm in	D mm in	E mm in	F mm in			
350 13.78	375 14.76	192 7.56		302 11.89	128 5.04	96 3.78	16 0.63		*	*	*
400 15.75	425 16.73	224 8.82		352 13.86	160 6.30	128 5.04		16 0.63	*	*	*
450 17.72	475 18.70	224 8.82	288 11.34	402 15.83	160 6.30	160 6.30	16 0.63	16 0.63	*	*	*
500 19.69	525 20.70	224 8.82	352 13.86	452 17.80	192 7.56	160 6.30	16 0.63	16 0.63	*	*	*
550 21.65	575 22.64	224 8.82	384 15.12	502 19.76	192 7.56	192 7.56	16 0.63	16 0.63	*	*	*
600 23.62	625 24.61	224 8.82	448 17.64	552 21.73	224 8.82	224 8.82	16 0.63	16 0.63	*	*	*
650 25.59	675 26.58	224 8.82	480 18.90	602 23.70	256 10.18	224 8.82	16 0.63	16 0.63	*	*	*
700 27.56	725 28.54	224 8.82	544 21.42	652 25.67	288 11.34	256 10.18	16 0.63	16 0.63	*	*	*

Packing Unit: Lengths 250 through 450 10 pair per box. Lengths 500 and 550 8 pair per box. Lengths 600 through 700 6 pair per box.

* on request