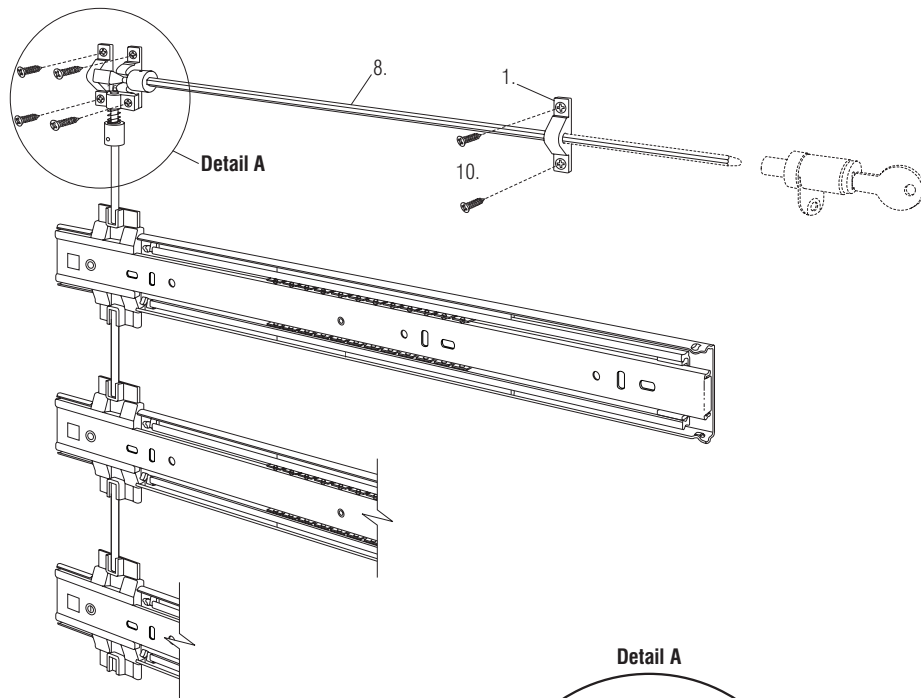
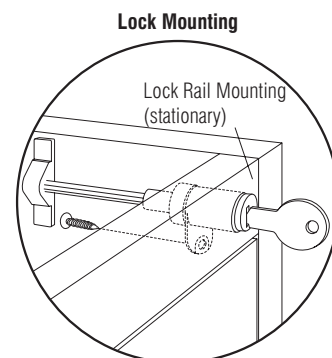
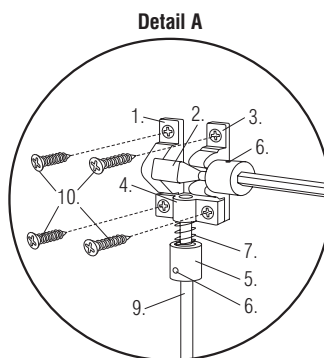


# FR 5218 | Interlock Anti-Tilt Device for FR 5019 and FR 5219



Right hand application shown, can also be used as left hand application.



## Parts per Set

- |   |   |
|---|---|
| <ul style="list-style-type: none"> <li>1. 2 pieces lock lever guide and horizontal hex rod guide</li> <li>2. 1 piece lock lever</li> <li>3. 1 piece lock lever guide</li> <li>4. 1 piece vertical rod guide</li> <li>5. 1 piece lock pin</li> </ul> | <ul style="list-style-type: none"> <li>6. 2 pieces screw M4 x 4 mm</li> <li>7. 1 piece spring 8 mm dia. x 12 mm</li> <li>8. 1 piece aluminum hex rod, 5 mm x 500 mm*</li> <li>9. 2 pieces aluminum round rod, 5 mm dia. x 500 mm**</li> <li>10. 6 pieces #6 x 5/8 flathead screw</li> </ul> |
|---|---|

\* Hex rod must be cut to the desired length according to the dimensions of the cabinet.  
 \*\* Round rod must be cut to length according to slide model used as shown in diagrams above.

Type	Item No.
Interlock Anti-Tilt Device for FR 5019 and FR 5219	400198

Packing Unit – Sets per Box: 1