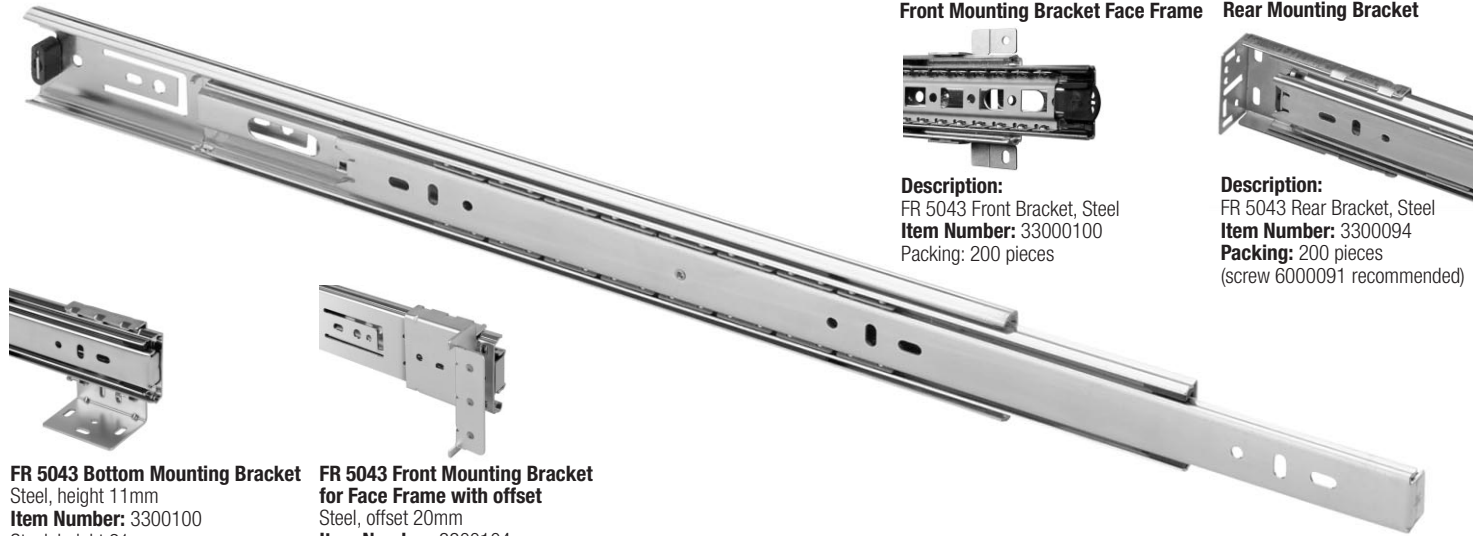


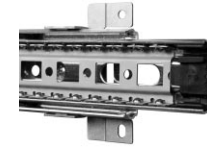
# FR 5043

<b>SLIDE TYPE:</b>	Full-Extension Ball Bearing Drawer Slide - Standard Version
<b>MOUNTING:</b>	Side Mount

<b>WIDTH:</b>	12.7 mm (0.5 in.)
<b>LOAD CAPACITY:</b>	dynamic up to 45 kg (100 lbs.)



Front Mounting Bracket Face Frame Rear Mounting Bracket



**Description:**  
FR 5043 Front Bracket, Steel  
**Item Number:** 33000100  
**Packing:** 200 pieces



**Description:**  
FR 5043 Rear Bracket, Steel  
**Item Number:** 3300094  
**Packing:** 200 pieces  
(screw 6000091 recommended)



**FR 5043 Bottom Mounting Bracket**  
Steel, height 11mm  
**Item Number:** 3300100  
Steel, height 21mm  
**Item Number:** 3300102  
**Packing:** 200 pieces

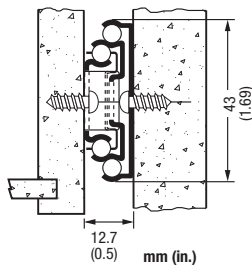


**FR 5043 Front Mounting Bracket for Face Frame with offset**  
Steel, offset 20mm  
**Item Number:** 3300104  
**Packing:** 200 pieces

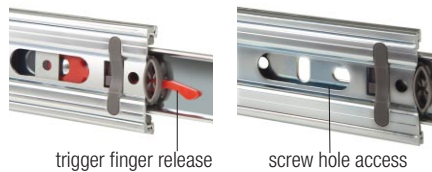
<b>MATERIALS:</b>	cold rolled steel
-------------------	-------------------

<b>FEATURES:</b>	steel ball bearings
------------------	---------------------

<b>SPECIFICATIONS:</b>
------------------------



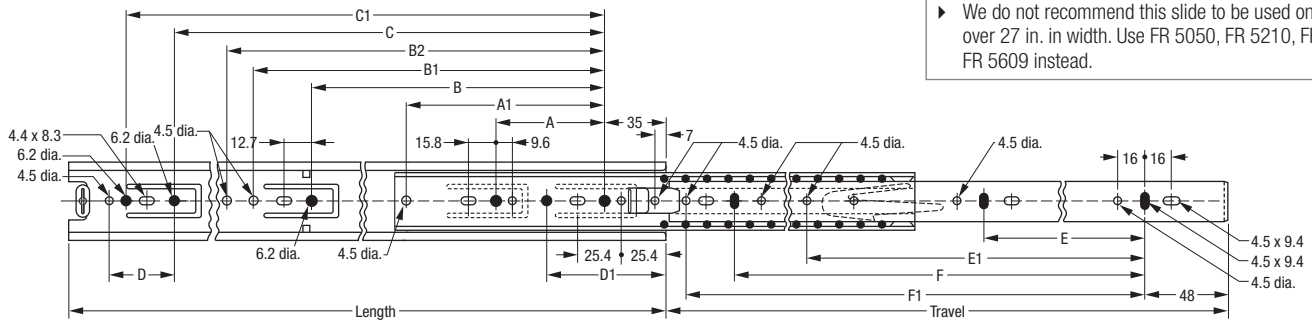
12.7 mm (0.50 in.) is the actual size of the slide.  
Allow a min. of 13 mm (0.51 in.) for clearance  
and a maximum of 13.5 mm (0.53 in.).



- ▶ precision ball bearing drawer slide for medium-duty applications in office and residential furniture
- ▶ drawer profile features an easy to operate disconnect finger release trigger
- ▶ system 32 compatible hole locations
- ▶ drawer slide is non-handed, and has a hold-close detent

<b>NOTE:</b>
▶ The compatible regular extension sister model FR 5005
▶ Over travel version on request

<b>CAUTION:</b>
▶ For a rigid connection of the front and rear face frame mounting brackets we recommend the use of truss head screw 6000091. See screws page.
▶ We do not recommend this slide to be used on drawers over 27 in. in width. Use FR 5050, FR 5210, FR 5755, FR 5609 instead.



Length	Travel	Cabinet Profile:										Drawer Profile:				Order No.								
		A	A1	B	B1	B2	C	C1	D	D1	E	E1	F	F1	black	zinc								
mm	in	mm	in	mm	in	mm	in	mm	in	mm	in	mm	in	mm	in	mm	in							
250	9.84	250	9.84	64	2.52	160	6.30	195	7.68							160	6.30	*	400699					
300	11.81	308	11.81	64	2.52	128	5.04	192	7.56	224	8.82	224	8.82			192	7.56	224	8.82	400720 400700				
350	13.78	350	13.78	64	2.52	128	5.04	224	8.82	282	11.10	296	11.65			96	3.78	256	10.08	400721 400701				
400	15.75	400	15.75	64	2.52	128	5.04	224	8.82			282	11.10	320	12.60	25	0.98	67	2.64	400722 400702				
450	17.72	450	17.72	64	2.52	128	5.04	224	8.82			282	11.10	352	13.86	43	1.69	160	6.30	271	10.67	352	13.86	400723 400703
500	19.69	500	19.69	64	2.52	128	5.04	224	8.82			282	11.10	416	16.38	29	1.14	192	7.56	297	11.69	416	16.38	400724 400705
550	21.65	550	21.65	64	2.52	128	5.04	224	8.82	282	11.10	352	13.86	448	17.64	480	18.90	224	8.82	323	12.72	448	17.64	400725 400704
600	23.62	600	23.62	64	2.52			224	8.82	282	11.10	352	13.86	480	18.90			224	8.82			512	20.16	400726 400706
650	25.59	650	25.59	64	2.52			224	8.82	282	11.10	352	13.86	544	21.42			256	10.08			544	21.42	400727 400707
700	27.56	700	27.56	64	2.52			224	8.82	282	11.10	352	13.86	576	22.68			256	10.08			608	23.94	400728 400708

Packing Unit: 15 pair per box

\* on request