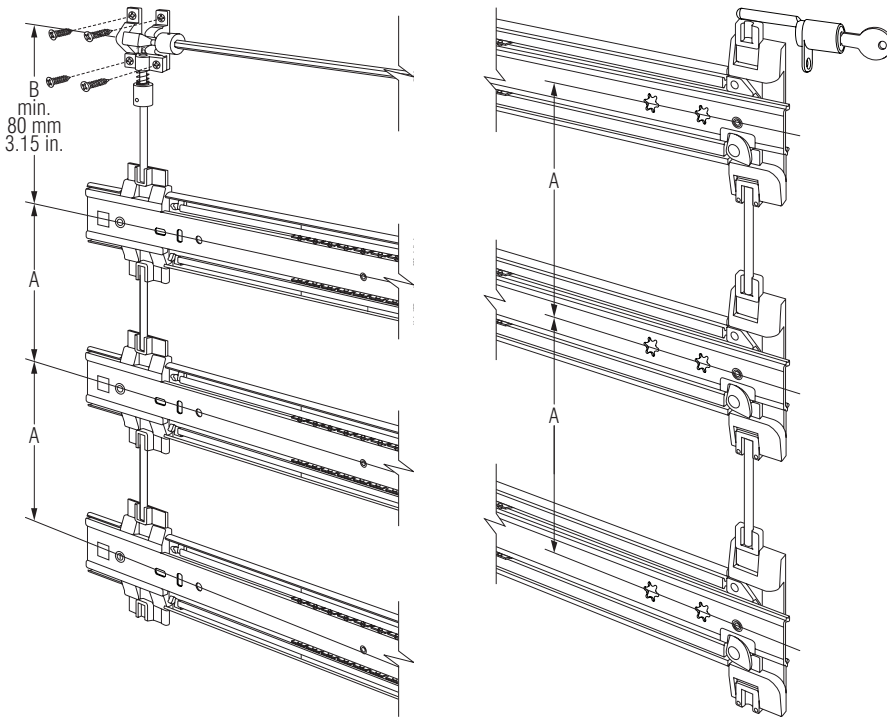


# Interlock Rods

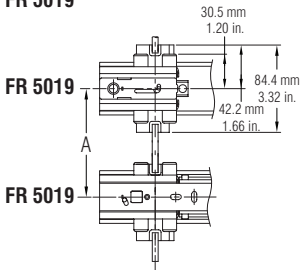
for FR 5019 / FR 5219 / FR 5619



Right hand application shown, can also be used as left hand application.

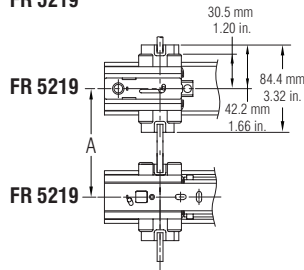
Round rod must be cut to length according to the formula for the slide model (all measurements in mm):

## FR 5019



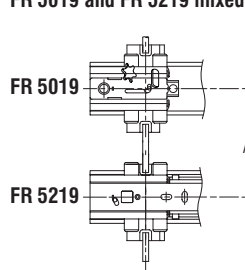
Rod Length (L) +0/-0.5 = A - 46 mm  
 Rod Length (L) +0/-0.5 = B - 56 mm  
 Rod Length (L) +0/-0.02 = A - 1.81 in.  
 Rod Length (L) +0/-0.02 = B - 2.20 in.

## FR 5219



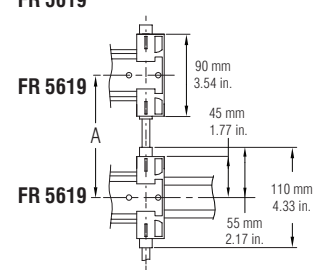
Rod Length (L) +0/-0.5 = A - 44 mm  
 Rod Length (L) +0/-0.5 = B - 55 mm  
 Rod Length (L) +0/-0.02 = A - 1.73 in.  
 Rod Length (L) +0/-0.02 = B - 2.20 in.

## FR 5019 and FR 5219 mixed



Rod Length (L) +0/-0.5 = A - 45 mm  
 Rod Length (L) +0/-0.02 = A - 1.77 in.

## FR 5619



Rod Length (L) +0/-0.5 = A - 70 mm  
 Rod Length (L) +0/-0.02 = A - 2.76 in.

### Anti-Tilt / Interlock Rods (Aluminum Round Rod, 5 mm dia. ±3)

Length		Weight		Item No.
mm	inch	kg	lbs.	
200	7.87	*	*	*
250	9.84	*	*	*
300	11.81	*	*	*
350	13.78	*	*	*
400	15.75	*	*	*
450	17.72	*	*	*
480	18.90	*	*	400246

Packing Unit – pieces, all Lengths: 10

\* on request