

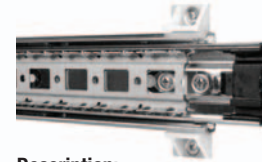
FR 5000.SS

SLIDE TYPE:	Full-Extension Stainless Steel Ball Bearing Drawer Slide - Standard Version
MOUNTING:	Side Mount

WIDTH:	12.7 mm (0.50 in.)
LOAD CAPACITY:	dynamic up to 45 kg (100 lbs.)

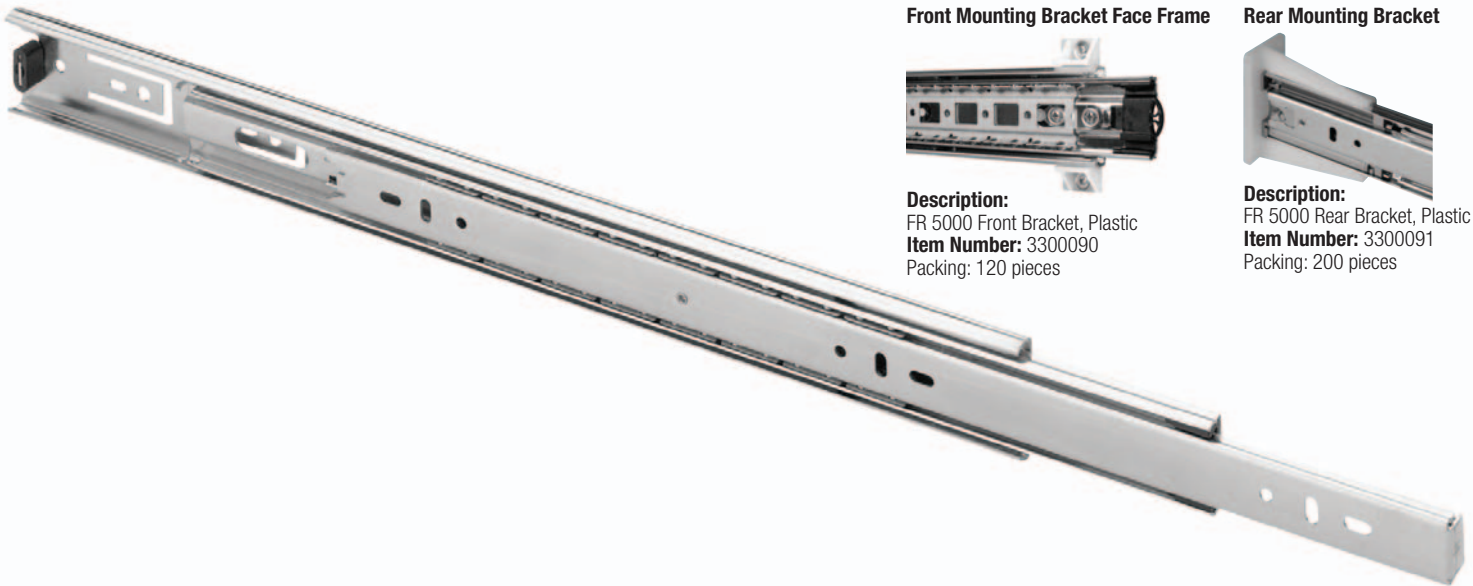
Front Mounting Bracket Face Frame

Rear Mounting Bracket



Description:
FR 5000 Front Bracket, Plastic
Item Number: 3300090
Packing: 120 pieces

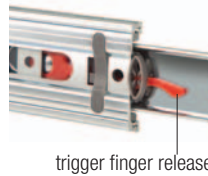
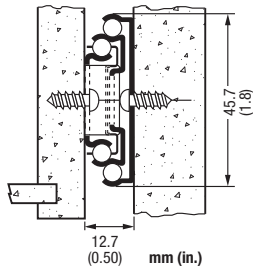
Description:
FR 5000 Rear Bracket, Plastic
Item Number: 3300091
Packing: 200 pieces



MATERIALS:	304 stainless steel
-------------------	---------------------

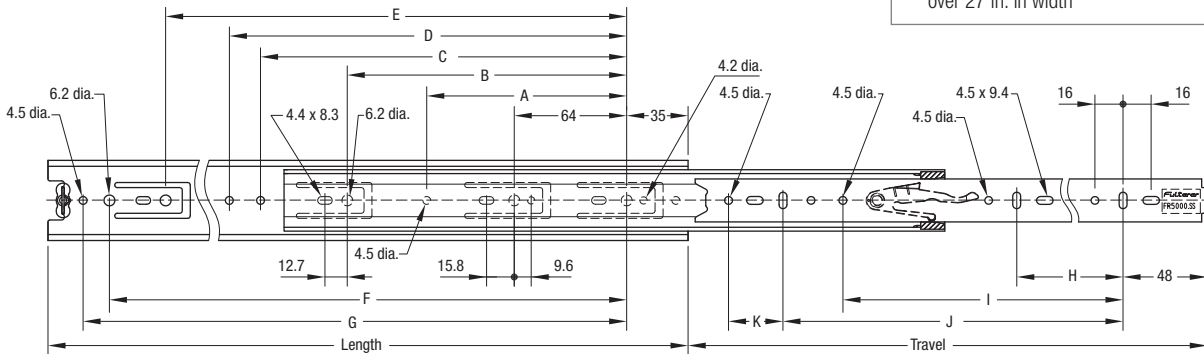
FEATURES:	304 stainless steel ball bearings
------------------	-----------------------------------

SPECIFICATIONS:	<ul style="list-style-type: none"> precision stainless steel ball bearing drawer slide for medium-duty applications in office, residential, medical, institutional, industrial and marine furniture drawer profile features an easy to operate disconnect finger release trigger system 32 compatible hole locations drawer slide is non-handed, and has a hold-close detent
------------------------	--



12.7 mm (0.50 in.) is the actual size of the slide.
Allow a min. of 13 mm (0.51 in.) for clearance and a maximum of 13.5 mm (0.53 in.).

CAUTION:	<ul style="list-style-type: none"> For a rigid connection of the front and rear face frame mounting brackets we recommend the use of #8 truss head screw We do not recommend this slide to be used on drawers over 27 in. in width
-----------------	--



Length	Travel	Cabinet Profile:						Drawer Profile:					Weight	Order No.	
		A	B	C	D	E	F	G	H	I	J	K			kg.
250	250	160	195								160			*	*
300	308	128	192	224	244						192	32	1.26	*	*
350	350	128	224	282	296						96			*	*
400	400	128	224	282		320		345			128	32	1.26	*	*
450	450	128	224	282		352		395		160	271	352		*	*
500	500	128	224	282		416		445		192	297	416		*	*
550	550	128	224	282	352	448	480	495	495	224	323	448		*	*
600	600		224	282	352	480		544		224		512		*	*
650	650		224	282	352	544		595		256		544		*	*
700	700		224	282	352	576		645		256		608		*	*
750	750		224	282	352	640		695		256		640		*	*

Packing Unit: 10 pair per box

* on request