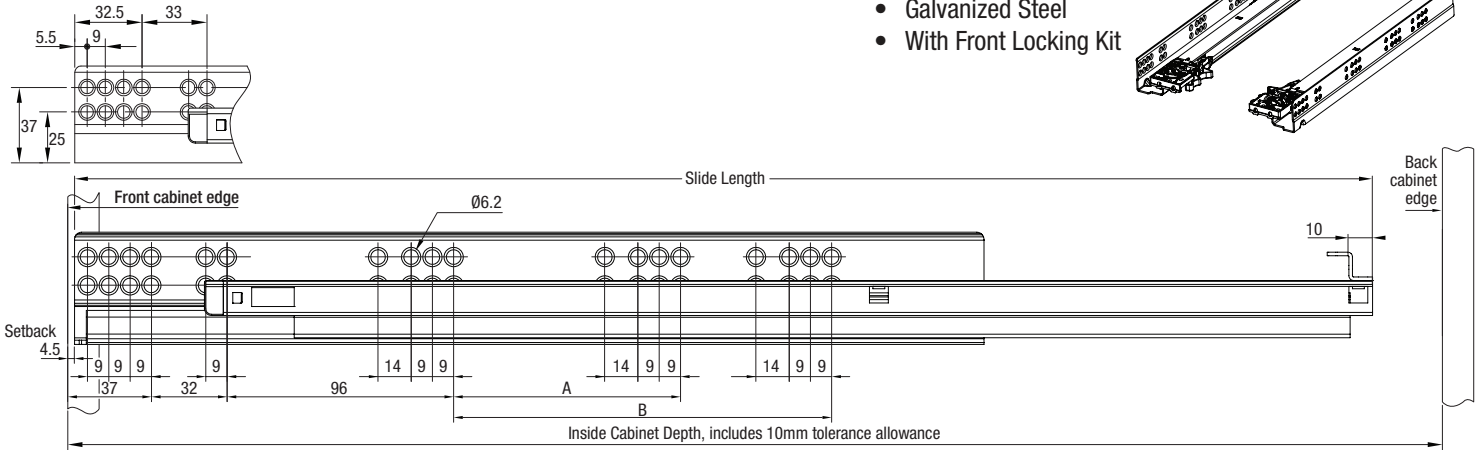
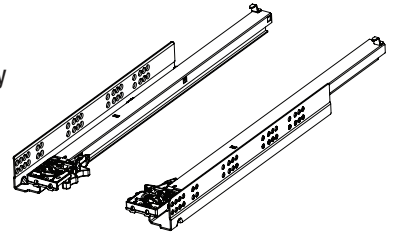


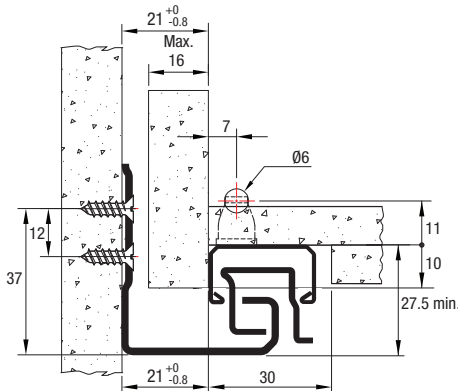
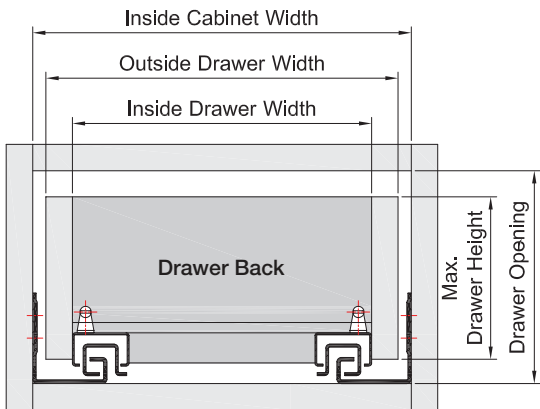
INSTALLATION DIMENSIONS

- Full Extension
- Under Mount
- 34kg (75 lbs.) capacity
- Galvanized Steel
- With Front Locking Kit

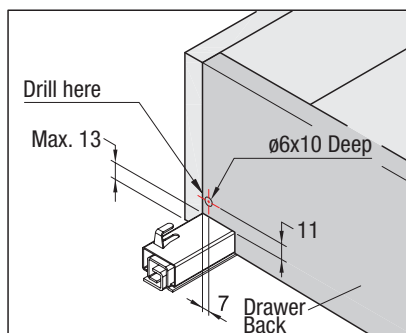


| Slide Length | Travel | Drawer Length | Minimum Inside Cabinet Depth includes 10mm tolerance allowance | | | |
|--------------|--------|---------------|--|-----|-----|-------|
| | | | A | B | mm | in |
| 300 | 300 | 290 | 64 | | 315 | 12.40 |
| 350 | 350 | 340 | 64 | | 365 | 14.37 |
| 400 | 400 | 390 | 96 | | 415 | 16.34 |
| 450 | 450 | 440 | 96 | | 465 | 18.31 |
| 500 | 500 | 490 | 96 | 160 | 515 | 20.28 |
| 550 | 550 | 540 | 96 | 160 | 565 | 22.24 |

- Inside Drawer Width $+1.5$ = Inside Cabinet Width - 42mm
- Max Drawer Height = Drawer Opening - 6mm



DRAWER NOTCH & BORE



DRAWER HARDWARE INSTALLATION

