

FR 215.SMT

SLIDE TYPE:	Regular-Extension Drawer Slide with Standard Mounting Tab System
MOUNTING:	Bottom Mount

WIDTH:	24 mm (0.95 in.)
LOAD CAPACITY:	dynamic up to 100 kg (225 lbs.)

New Product
Please inquire for lead time



MATERIAL: cabinet profile is grey powdercoated, drawer profile cold rolled steel uncoated for welding

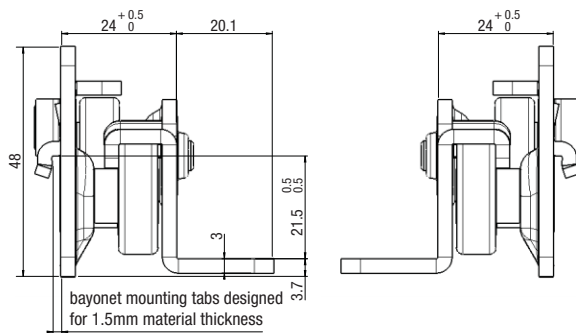
FEATURES: Delrin* encased steel roller bearings
Standard Hole/Slot for weld jig alignment

SPECIFICATIONS:

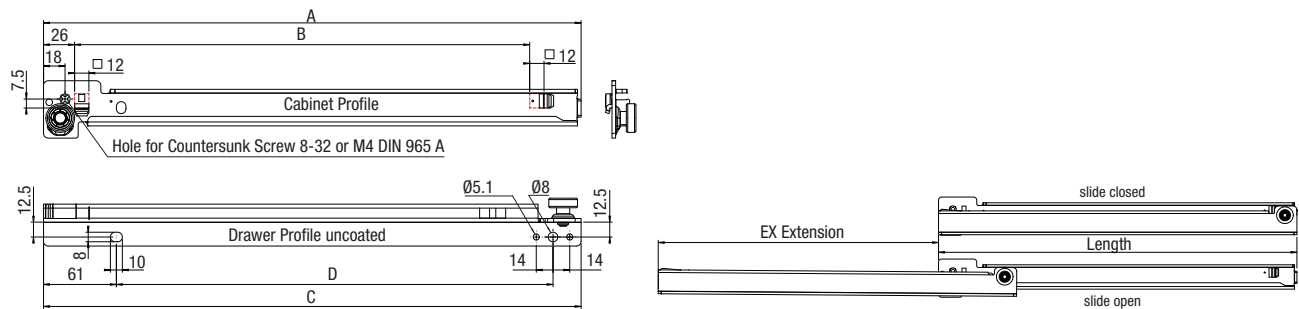
- ▶ Standard Mounting Tab system allows for quick installation and flexibility in drawer slide model selection
- ▶ cabinet profile is powdercoated, drawer profile is uncoated (raw) to allow welding by installer.
- ▶ openings for the mounting tabs are 12mm x 12mm
- ▶ front and rear openings are on the same level
- ▶ mounting strips can be identical front, back, left and right
- ▶ standard thickness for the mounting hat is 1.5mm (16 gauge) steel with option for 1.9mm (14 gauge) steel available
- ▶ double-sided captive profile
- ▶ self-closing

NOTE:

- ▶ compatible with full extension drawer slides FR 7075.SMT and FR 7180.SMT



Cabinet Profile +30mm, Drawer Profile +30mm



Nominal Length L	EX		Cabinet Profile A		B		Drawer Profile C		D		Weight kg lbs	Order No.		Order No. 1.9 mm 14 ga. steel	
	mm	in	mm	in	mm	in	mm	in	mm	in		1.5 mm 16 ga. steel	1.9 mm 14 ga. steel		
450	17.72	377	14.84	480	18.90	411	16.18	480	18.90	395.5	15.57	*	*	*	*
500	19.69	417	16.42	530	20.87	461	18.15	530	20.87	445.5	17.54	*	*	*	*
550	21.65	457	17.99	580	22.84	511	20.12	580	22.84	495.5	19.51	*	*	*	*
600	23.62	497	19.57	630	24.80	561	22.09	630	24.80	545.5	21.48	*	*	*	*
650	25.59	537	21.14	680	26.77	611	24.06	680	26.77	595.5	23.45	*	*	*	*
700	27.56	577	22.72	730	28.74	661	26.02	730	28.74	645.5	25.42	*	*	*	*
750	29.53	617	24.29	780	30.71	711	27.99	780	30.71	695.5	27.38	*	*	*	*

Note: cabinet or drawer profile available in nominal lengths

* on request

*DuPont (TM) Delrin®

FR 215.SMT

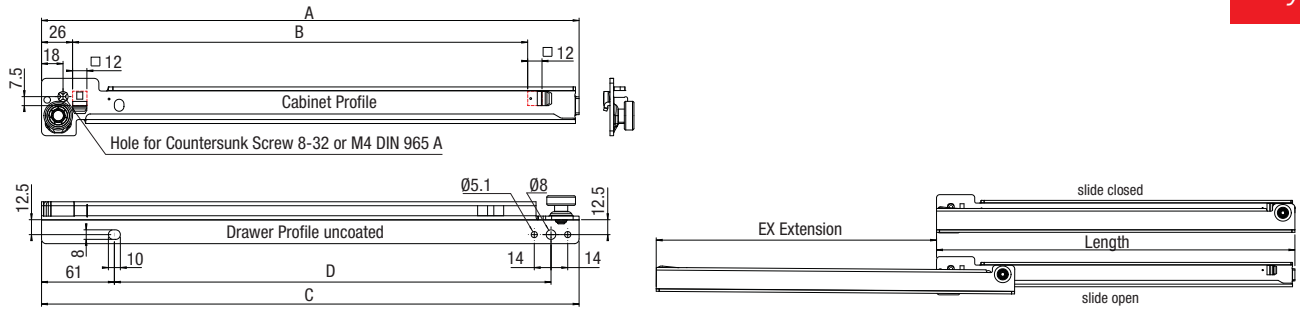
SLIDE TYPE:	Regular-Extension Drawer Slide with Standard Mounting Tab System
MOUNTING:	Bottom Mount

WIDTH:	24 mm (0.95 in.)
LOAD CAPACITY:	dynamic up to 100 kg (225 lbs.)

New Product
Please inquire for lead time



Cabinet Profile and Drawer Profile Nominal



Nominal Length L	EX		Cabinet Profile A				Drawer Profile C				D	Weight kg lbs	Order No. 1.5 mm 16 ga. steel		Order No. 1.9 mm 14 ga. steel	
	mm	in	mm	in	mm	in	mm	in	mm	in			mm	in		
450	17.72	352	13.86	450	17.72	381	15.00	450	17.72	365.5	14.39		*	*	*	*
500	19.69	392	15.43	500	19.69	431	16.97	500	19.69	415.5	16.36		*	*	*	*
550	21.65	432	17.01	550	21.65	481	18.94	550	21.65	465.5	18.33		*	*	*	*
600	23.62	472	18.58	600	23.62	531	20.91	600	23.62	515.5	20.30		*	*	*	*
650	25.59	512	20.16	650	25.59	581	22.87	650	25.59	565.5	22.26		*	*	*	*
700	27.56	552	21.73	700	27.56	631	24.84	700	27.56	615.5	24.23		*	*	*	*
750	29.53	592	23.31	750	29.53	681	26.81	750	29.53	665.5	26.20		*	*	*	*

Note: cabinet or drawer profile available in nominal lengths

*DuPont (TM) Delrin®