

FR 1920

SLIDE TYPE:	Regular-Extension Drawer Slide
MOUNTING:	Bottom Mount

WIDTH:	12 mm (0.47 in.)
LOAD CAPACITY:	dynamic up to 34 kg (75 lbs.)

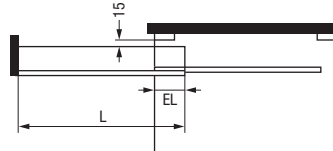
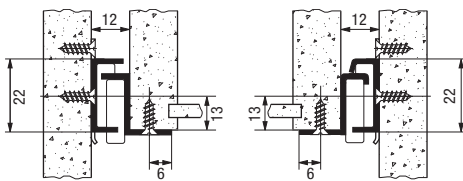


MATERIAL: powder coated cold rolled steel

FEATURES: nylon rollers

SPECIFICATIONS:

- ▶ economical, with very good running qualities most suitable for RTA furniture
- ▶ cabinet profile specially formed to prevent rollers from touching protruding screws
- ▶ optional no flange version FR 1920.NF available in some lengths and colors
- ▶ optional front-tilt-hinge FR 1920.HI available in some lengths and colors
- ▶ special custom hole patterns available on request



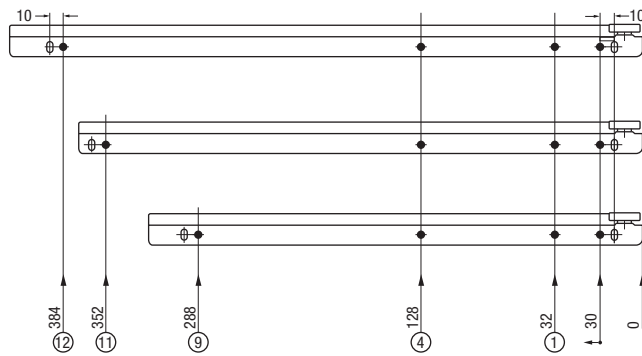
L=Length EL=Extension Loss

12 mm (0.47 in.) is the actual width of the slide.
Allow a min. of 12.7 mm (0.5 in.) for clearance.

NOTES:

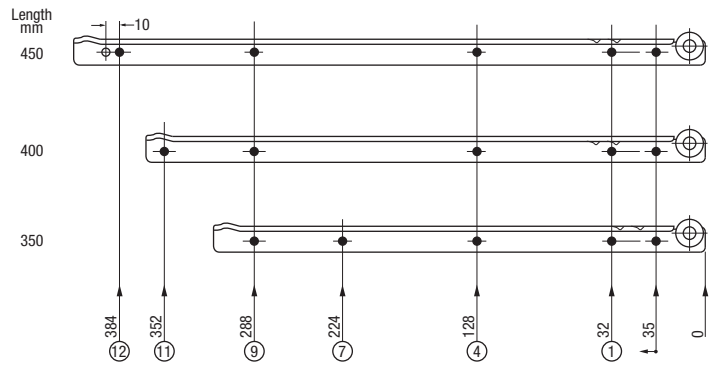
- ▶ Other lengths and colors on request.

Drawer Profile



(top view, left shown)

Drawer Profile



(side view, right shown)

Cabinet profile same as FR 1019

Length mm	Extension Loss		Weight kg lbs	Order No.	Order No.	Order No.	Order No.	Order No.	Order No.	Order No.		
	mm	in		B: (Bulk) white	B: (Bulk) brown	B: (Bulk) .HI black	B: (Bulk) .HI white	B: (Bulk) .HI beige	B: (Bulk) .HI brown	B: (Bulk) .NF brown	B: (Bulk) .NF black	
300	11.81	80	3.14	*	*	600706	*	*	*	*		
350	13.78	80	3.14	*	600500	600523	600700	600707	*	600521	*	
400	15.75	80	3.14	*	*	600505	600703	*	600701	600705	*	90035
450	17.72	90	3.54	*	*	*	600704	600709	*	*	600540	60031
500	19.69	100	3.94	*	90053	*	*	*	*	*	*	*
550	21.65	105	4.13	*	*	*	*	*	*	60005411	*	*

Packing Unit: Bulk packed, 100 pieces of each profile per box

* on request