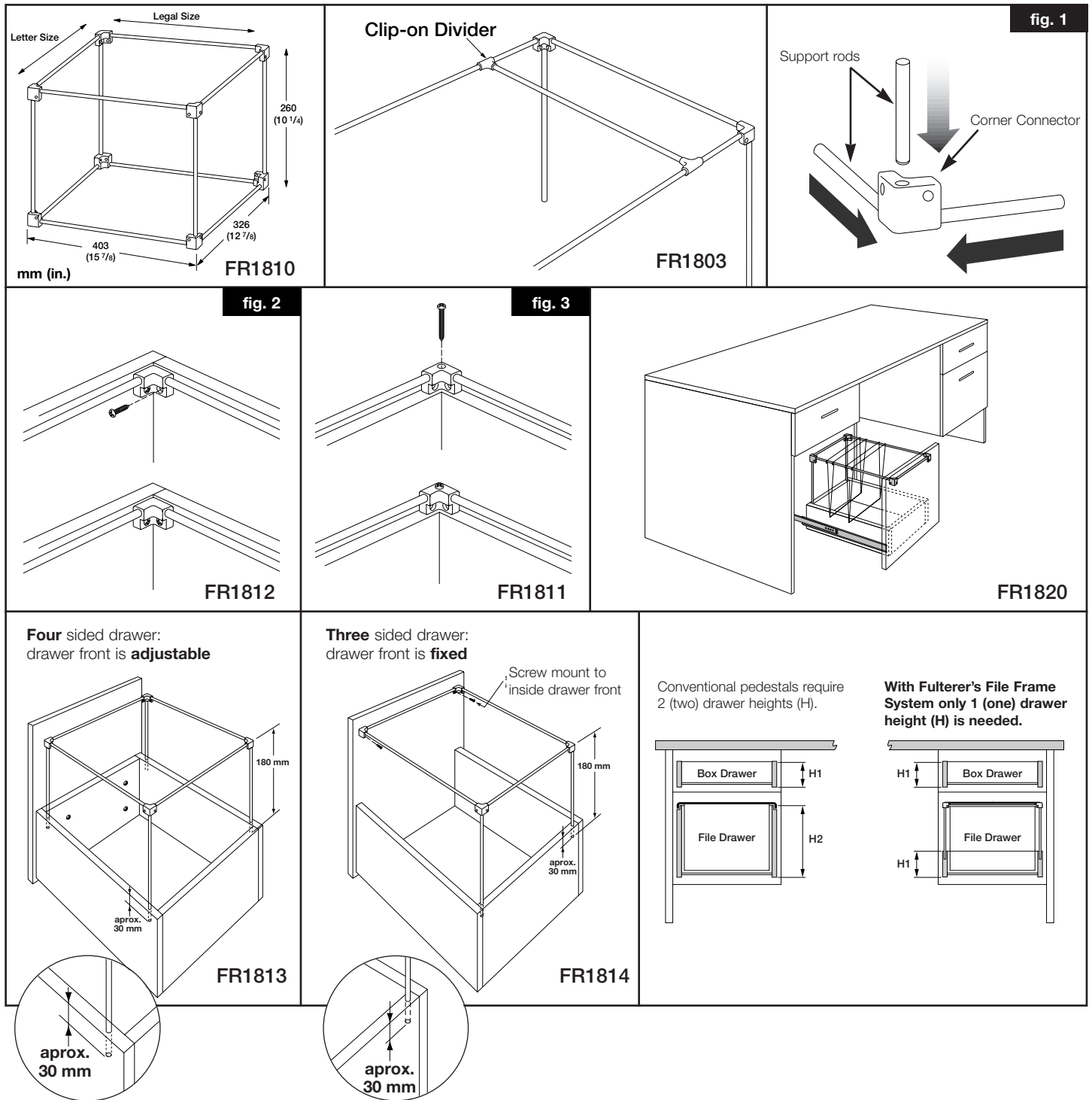


Mounting Instructions and Recommendations

Fulterer Hanging File Folder System (U.S. patent No. 3,168,031) FR1810, 1811, 1812, 1813, 1814 and 1803



Tap support rods into corner connectors as illustrated (**fig. 1**). **Be sure that the corner connectors face the correct direction for desired installation.** You must first determine if your installation requires screw mounting to drawer front (horizontal insertion of screw (**fig. 2**) or to the drawer side (vertical insertion of screw, screw will break through hole **fig. 3**).

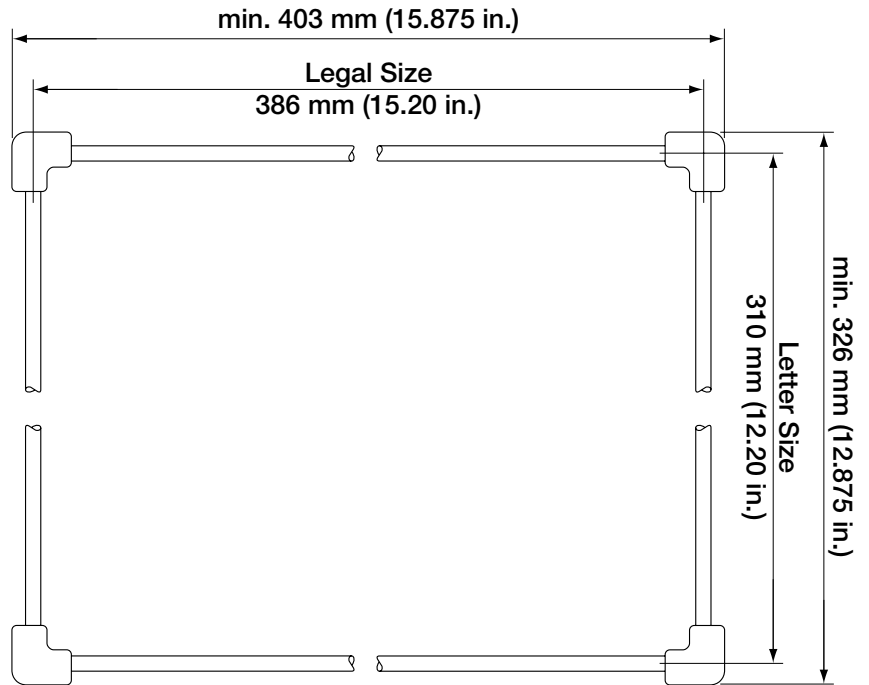
For **FR1813** and **FR1814**, 6 mm diameter holes must be drilled approximately 30 mm deep for support rods (at the appropriate location) into the top edge of the drawer sides. Determine the depth of the holes according to the height of the drawer sides and height of the hanging folder.

Mounting Instructions and Recommendations

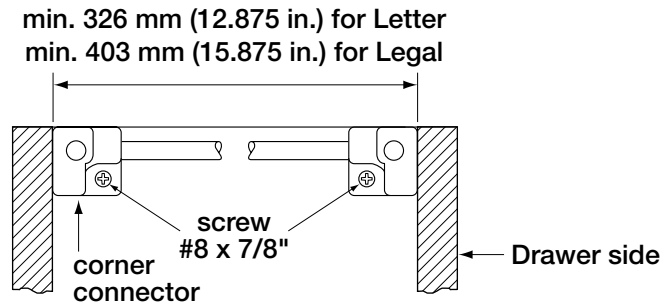
Recommendations for drawer design, drawer dimensions and application of FR 1810, FR 1811, FR 1812, FR1813, FR 1814, FR 1803, FR 1804

Hanging File Folder System

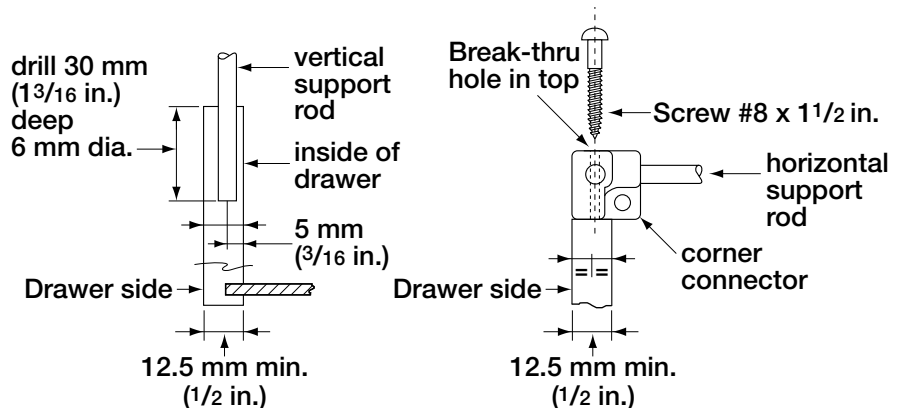
The standard foot print of above products is always as drawing at right.



In order to mount either FR 1810 or FR 1812 on the INSIDE of a drawer;
 the minimum WIDTH needed inside the drawer is 310 mm (12.20 inches)
 the minimum DEPTH needed inside the drawer is 401 mm (15.80 inches)



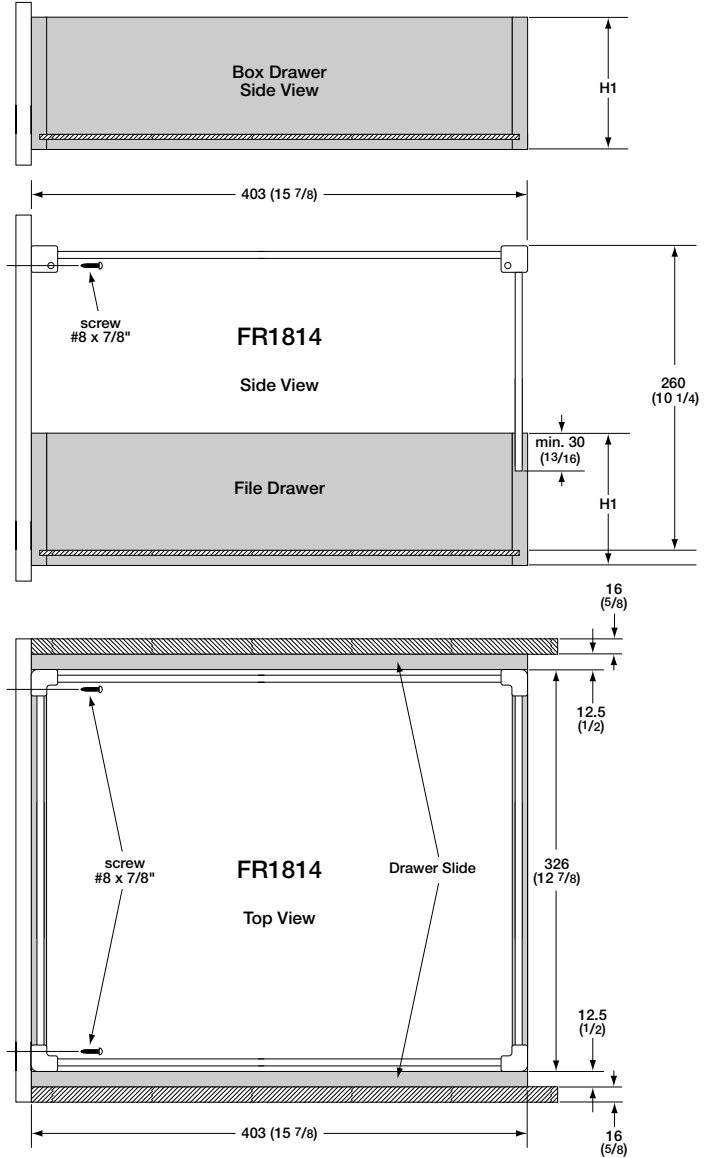
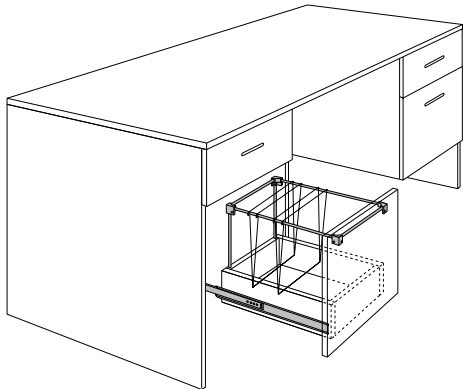
To mount FR 1811, FR 1813 or FR 1814 the location for the screw (FR 1811) or holes for the vertical rods should follow specifications as shown on drawings at right.



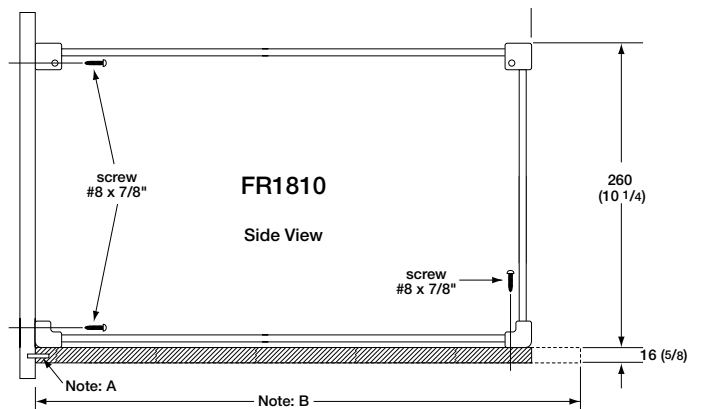
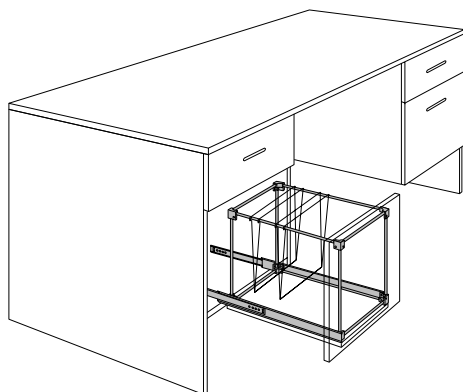
mm (in.)

Mounting Instructions and Recommendations

Recommendations for standard desk pedestal application using FR 1814



Alternative for standard desk pedestal application using FR 1810. No drawer box required.



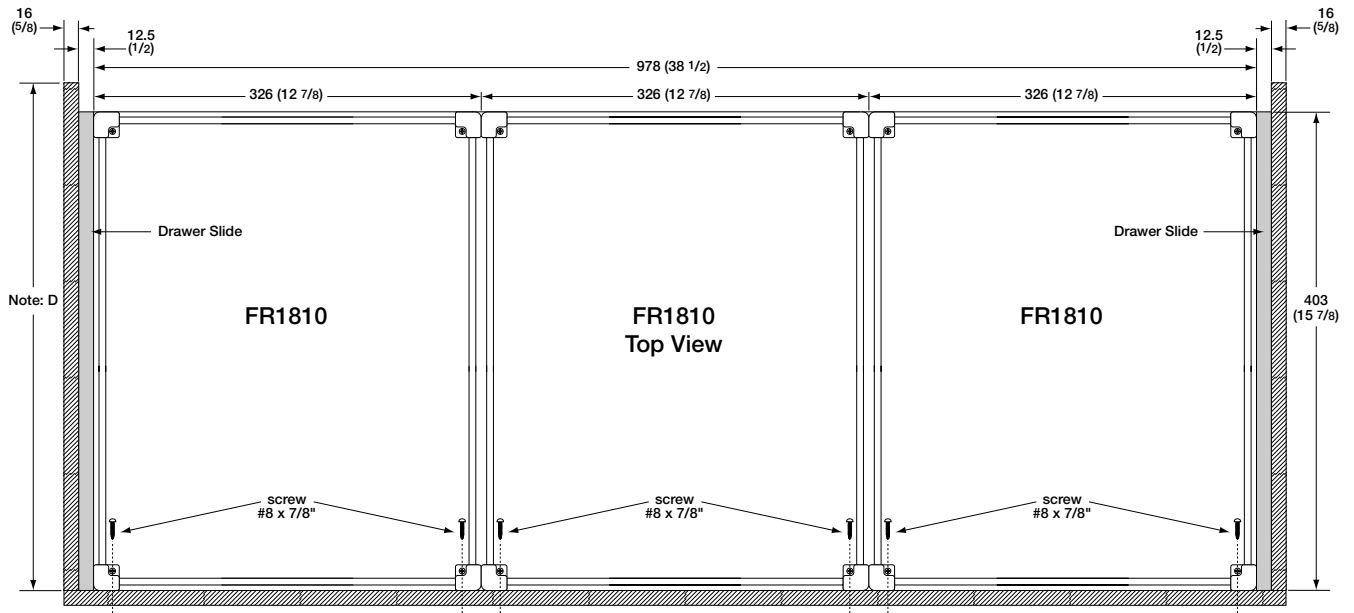
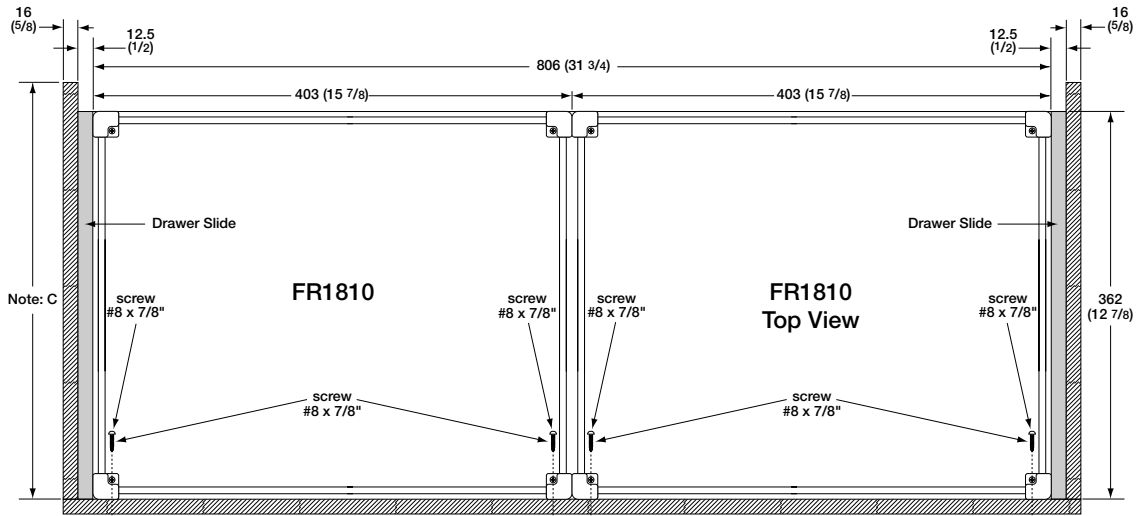
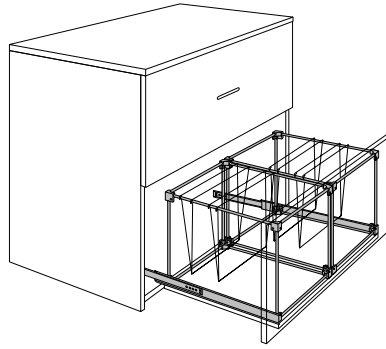
Note: A Shelf can be attached to drawer front with dowels and/or KD connector type fittings

Note: B To obtain a full-extension effect with a regular extension drawer slide a minimum of 500 (20 inch) length slide is required. (FR1921, FR1020, FR2021, FR2071, FR5005 regular extension slides)
 Using a full-extension slide such as FR6500, FR738, FR5000, FR5755 a 400 mm (16 inch) length will work.

mm (in.)

Mounting Instructions and Recommendations

Recommendations for a standard lateral file cabinet application using FR 1810



Note: C To obtain a full-extension effect with a regular extension drawer slide a minimum of 450 (18 inch) length slide is required. (FR1921, FR1020, FR2021, FR2071, FR5005 regular extension slides)
Using a full-extension slide such as FR6500, FR738, FR5000, FR5755 a 350 mm (14 inch) length will work.

Note: D To obtain a full-extension effect with a regular extension drawer slide a minimum of 500 (20 inch) length slide is required. (FR1921, FR1020, FR2021, FR2071, FR5005 regular extension slides)
Using a full-extension slide such as FR6500, FR738, FR5000, FR5755 a 400 mm (16 inch) length will work.

mm (in.)