

FR 1660

PRODUCT TYPE: Laptop Computer Pull-Out

LOAD CAPACITY: dynamic up to **34 kg (75 lbs.)**

MOUNTING: Top Mount

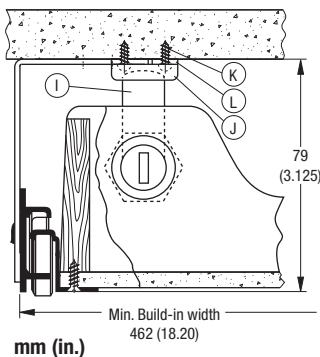


MATERIALS: drawer slide: powder coated cold rolled steel
tray: polystyrene, textured

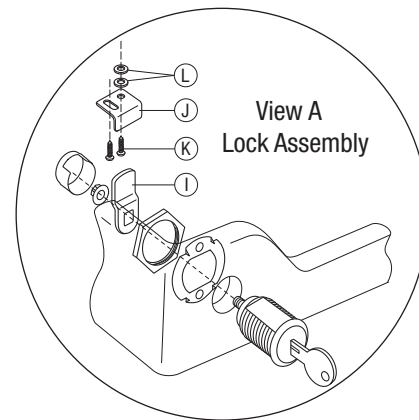
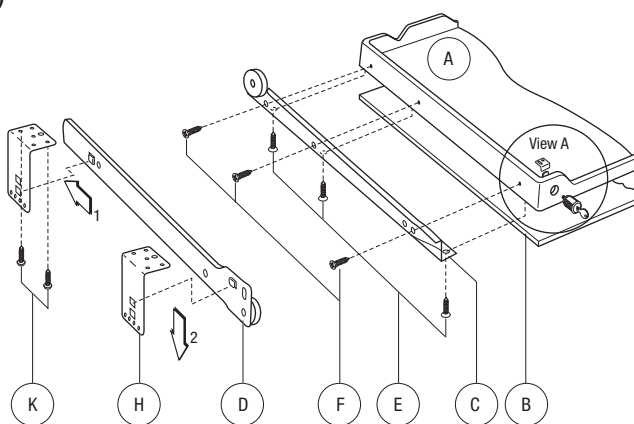
FEATURES: nylon rollers

SPECIFICATIONS:

- ▶ keyboard tray pull-out can be used for all laptop computers
- ▶ easy to add to existing furniture
- ▶ roller drawer slide with one out stop lock out position
- ▶ very user-friendly
- ▶ screw-mount brackets permit installation under any work surface
- ▶ slotted back for ease of cable management
- ▶ the lock provides greater security especially in desk sharing office environments.



mm (in.)



Tray Dimensions:	Width		x	Depth		Overall Height with bracket		Min. Build-in Width		Slide Length		Weight		Order No. black
	mm	in		mm	in	mm	in	mm	in	mm	in	kg	lbs	
	422	16.62	x	480	18.90	x	79	3.125	462	18.20	500	20.00	*	6000353

Packing Unit: 1 set per box consisting of: 1 piece laptop tray (A), 1 piece bottom board (B), 1 pair drawer slide (C) and (D), 4 pieces brackets (H), 1 set lock assembly (I) and (L), Screws and mounting instructions

* on request