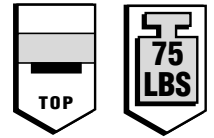


Mounting Instructions

FR 1600 Keyboard Pull-Out

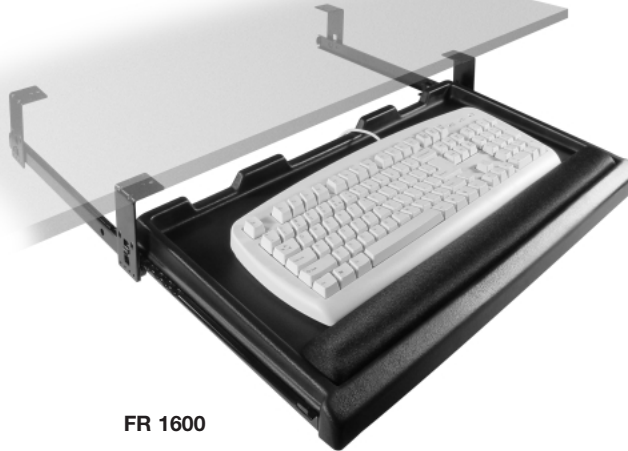
FR 1601 Keyboard Pull-Out, wide

FR 1602 Keyboard Pull-Out – with Slide-Out Mouse Tray

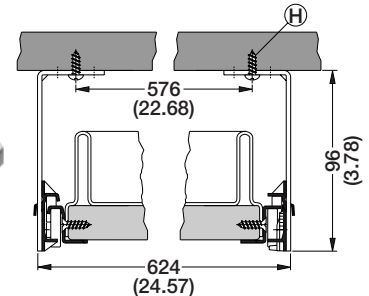


FR 1600 Features

- ⇒ Keyboard tray pull-out can be used for all keyboard designs
- ⇒ Easy to add to existing furniture and work surfaces
- ⇒ Roller drawerslide with 6 pull-out stops
- ⇒ Very user-friendly
- ⇒ Screw-mount brackets permit installation under any work surface
- ⇒ Overrun clip incorporated into cabinet profile prevents pull-out from accidentally coming out
- ⇒ Slotted back for ease of cable management
- ⇒ A very comfortable gel wrist support is included.



FR 1600



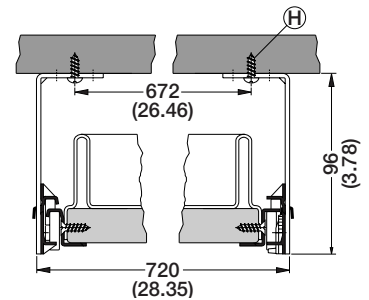
FR1600

FR 1601 Features

- ⇒ Keyboard tray pull-out can be used for all keyboard designs
- ⇒ Easy to add to existing furniture and work surfaces
- ⇒ Roller drawerslide with 6 pull-out stops
- ⇒ Very user-friendly
- ⇒ Screw-mount brackets permit installation under any work surface
- ⇒ Overrun clip incorporated into cabinet profile prevents pull-out from accidentally coming out
- ⇒ Slotted back for ease of cable management
- ⇒ The extra width of this keyboard pull-out allows the mouse to be used on either side of the keyboard.
- ⇒ A convenient pencil tray on the rear adds versatility.
- ⇒ A very comfortable gel wrist support is included.



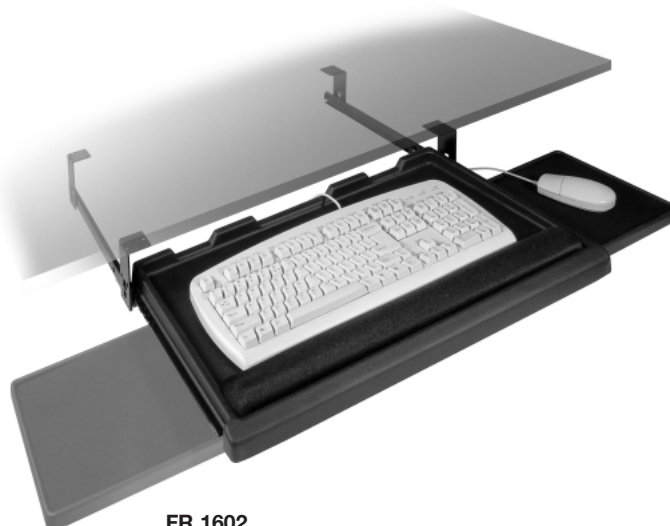
FR1601



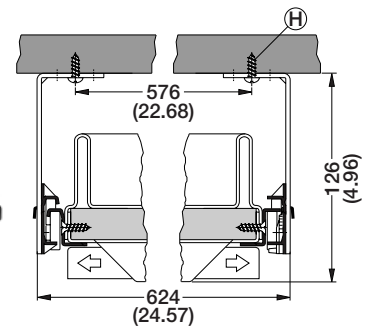
FR1601

FR 1602 Features

- ⇒ Keyboard tray pull-out can be used for all keyboard designs
- ⇒ Mouse tray, with mouse pad, pulls out to left or right
- ⇒ Easy to add to existing furniture
- ⇒ Roller drawerslide with 6 pull-out stops
- ⇒ Very user-friendly
- ⇒ Screw-mount brackets permit installation under any work surface
- ⇒ Overrun clip incorporated into cabinet profile prevents pull-out from accidentally coming out
- ⇒ Slotted back for ease of cable management
- ⇒ A very comfortable gel wrist support is included.



FR 1602



FR1602

mm (in.)

Mounting Instructions

FR 1600 Keyboard Pull-Out

FR 1601 Keyboard Pull-Out, wide

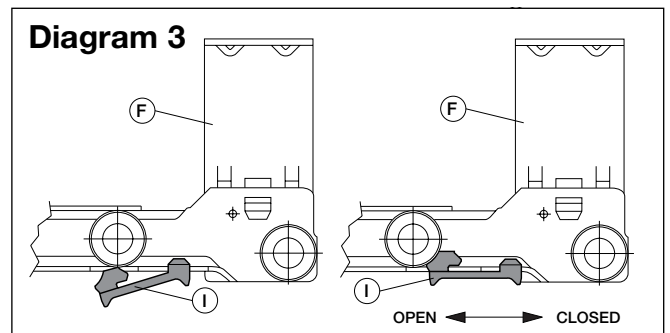
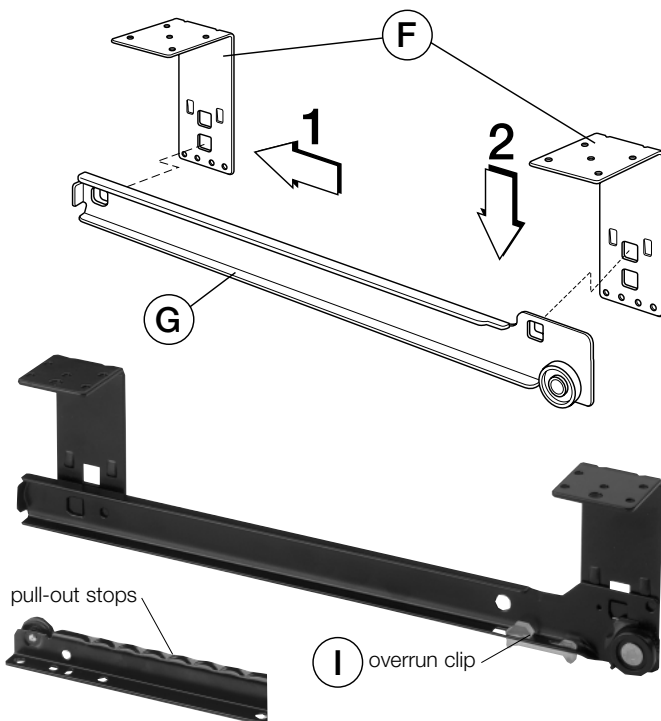
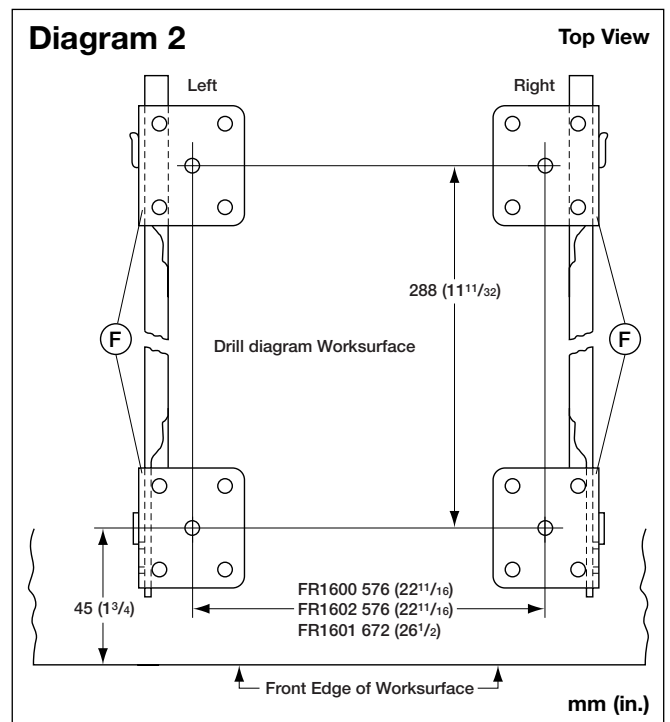
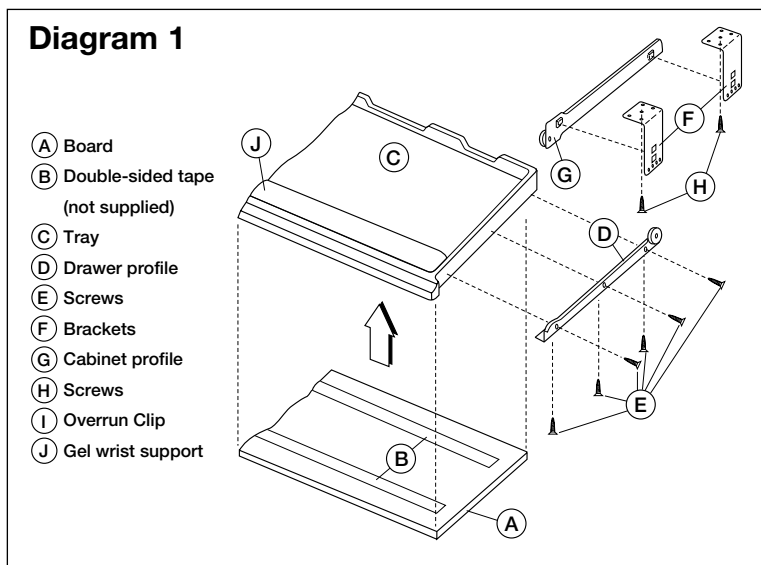
FR 1602 Keyboard Pull-Out – with Slide-Out Mouse Tray

All models FR1600, FR1601 and FR1602 mount identically to the bottom of the work surface.

All models FR1600, FR1601 and FR1602 feature a soft, comfortable gel wrist support.

The FR1602 includes a soft-cushioned mouse pad which can be placed on the left or right hand side of the slide-out tray.

1. Adhere two pieces of double-sided tape (B) (not supplied) lengthwise to board (A). See diagram 1.
2. Insert board (A) underneath keyboard tray (C). Press firmly to make double-sided tape adhere securely to the keyboard tray (C). See diagram 1.
3. Fasten left and right drawer profile parts (D) to the tray and board with wood screws (E). See diagram 1.
4. Hook top-mount brackets (F) to cabinet profiles (G) as illustrated (1 and 2).
5. Mark the position of the bracket screw holes as indicated on diagram 2 and fasten with wood screws (H). Be sure to mount square and perpendicular allowing enough play for the drawerslide to operate without binding.
6. After inserting the tray, slide the over-run prevention clip (I) forward to lock into place. See diagram 3.



Fasteners Supplied

- (E) 12 pcs. #6 x 5/8 black flathead countersunk screws
- (H) 12 pcs. #6 x 5/8 black panhead countersunk screws