

# FR 1535 FR 1550 FR 1560

**PRODUCT TYPE:** Pencil Tray Pull-Outs

**LOAD CAPACITY:** dynamic up to **34 kg (75 lbs.)**

**MOUNTING:** Top Mount



FR1535



FR1550



FR1560

**MATERIALS:** drawer slide: powder coated cold rolled steel  
tray: polystyrene, textured

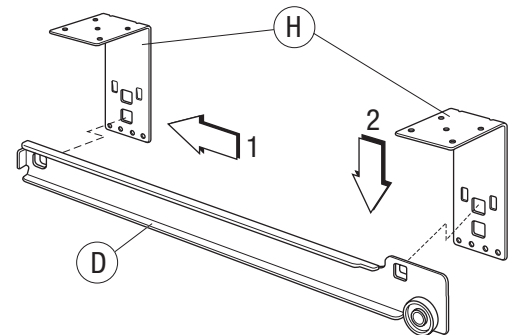
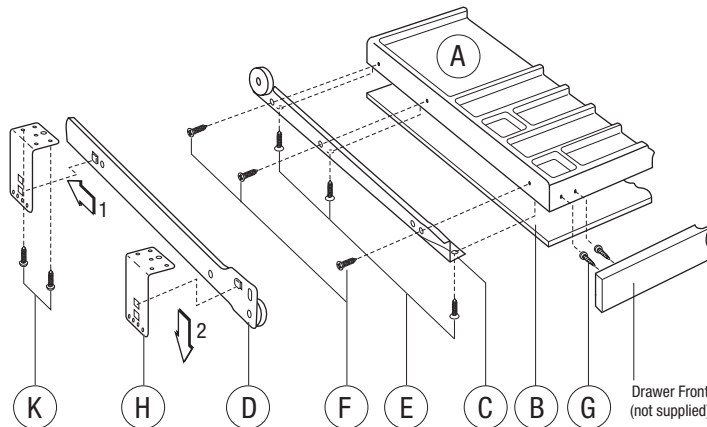
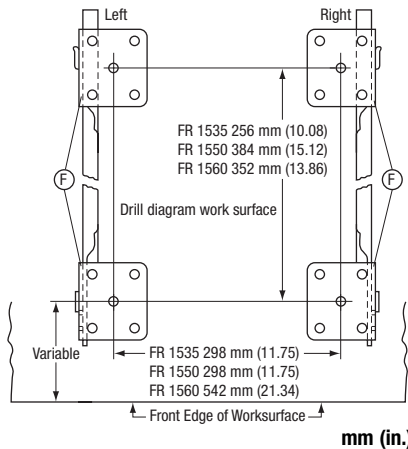
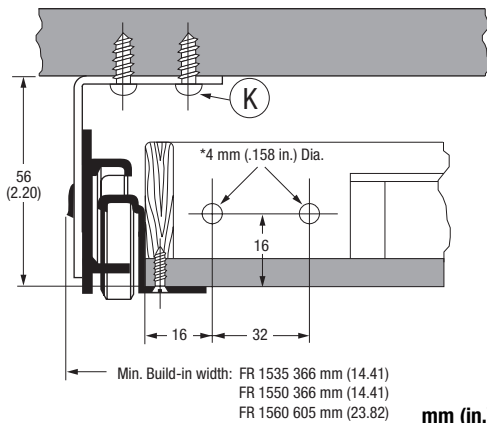
**FEATURES:** nylon rollers

**SPECIFICATIONS:**

- ▶ these pencil tray pull-outs provide a complete solution in one compact unit
- ▶ The front of the tray allows easy attachment of a drawer front
- ▶ Top mount brackets are supplied
- ▶ Options: The FR 311 and the FR 5162 slides can also be used with these pencil trays

**NOTES:**

- ▶ Other colors and sizes on request, 300 sets minimum
- ▶ Bulk packing on request.
- ▶ Inquiries for custom sizes and configurations are welcome.



Description	Tray Sizes		x	Depth		Min. Build-In Width		Slide Length		Weight	Order No.
	Width			mm	in	Top Mount		mm	in		
FR1535	320	12.60	x	350	13.78	366	14.41	350	13.78	*	6000019
FR1550	320	12.60	x	500	19.69	366	14.41	500	19.69	*	6000021
FR1560	560	22.05	x	450	17.72	605	23.82	450	17.72	*	6000322

Packing Unit: 1 set per box consisting of: 1 piece pencil tray (A), 1 piece bottom board (B), 1 pair drawer slide (C) and (D), 4 pieces brackets (H), Screws and mounting instructions

\* on request