



Flipper Door Slide **FR 136.ECD**

for cabinets up to 400 mm (15.75 in.) deep

ECD

- ▶ Flipper slide mechanism for flipper door heights of 380 to 400mm (14.96 to 15.75 in.), slide length is 365mm (14.37 in.)
- ▶ Available with or without parallel guide
- ▶ Without parallel guide, there is no limit on the cabinet width
- ▶ With parallel guide, cabinet width should be between 800-1200mm (31.5-47.24 in.)
- ▶ Door is fastened with screws allowing for height adjustment
- ▶ With ECD Easy Close Device on door closing

FULTERER USA INC.
542 Townsend Avenue
High Point, NC
27263-4552, USA

T +1 336 431 - 4646
T +1 800 395 - 4646
F +1 336 431 - 4620
info@fultererusa.com
www.fultererusa.com

FULTERER USA INC.
1900 Proforma Avenue, Unit F-2
Ontario, CA
91761, USA

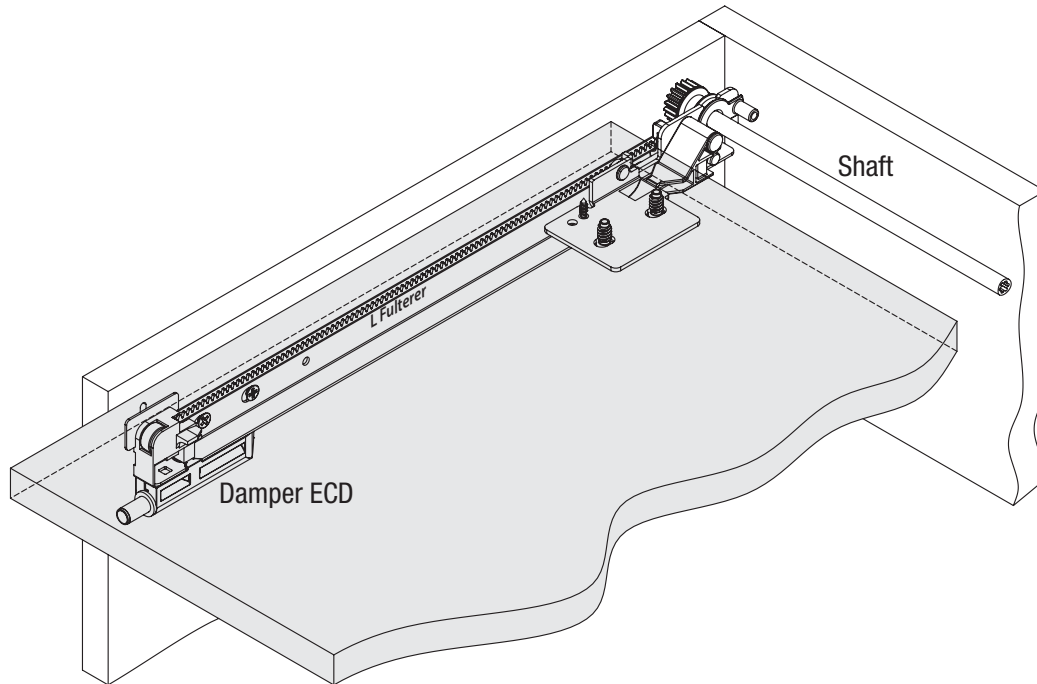
T +1 909 947 - 0407
F +1 909 947 - 0409
info@fultererusa.com
www.fultererusa.com

FULTERER GMBH
www.fulterer.com

FR 136.ECD

ASSEMBLY DRAWING:	parallel guide parts list
ASSEMBLY:	flipper door assembly

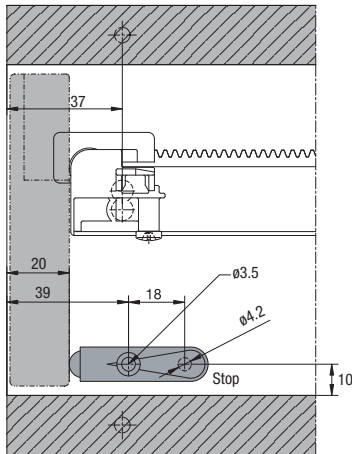
DOOR WIDTH:	min. 760-1162 mm (29.92-45.75 in.)
WEIGHT RATING:	dynamic up to 7 kg (15.4 lbs.)



MATERIAL:	Steel, black powdercoat
------------------	-------------------------

ASSEMBLY:	Engineered Resin rollers
------------------	--------------------------

SPECIFICATIONS:
<ul style="list-style-type: none"> ▶ flipper slide mechanism for flipper door heights of 380 to 400mm (14.96 to 15.75 in.), slide length 365mm (14.37 in.) ▶ available with or without parallel guide ▶ without parallel guide, there is no limit on the cabinet width ▶ with parallel guide, cabinet width should be between 800-1200mm (31.5-47.24 in.) ▶ door is fastened with screws allowing for height adjustment ▶ with ECD Easy Close Device on door closing



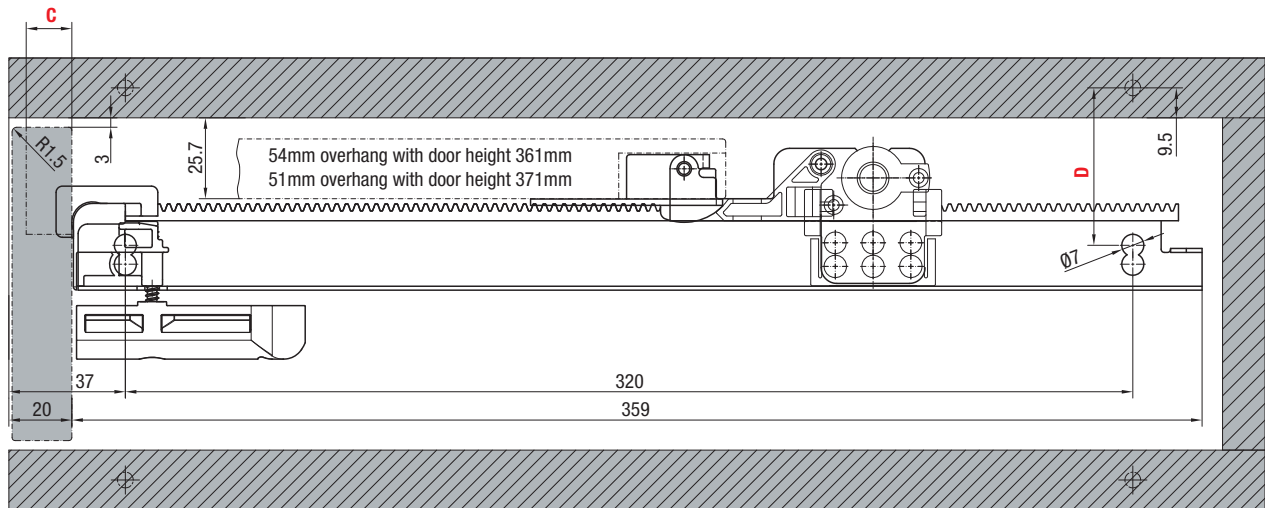
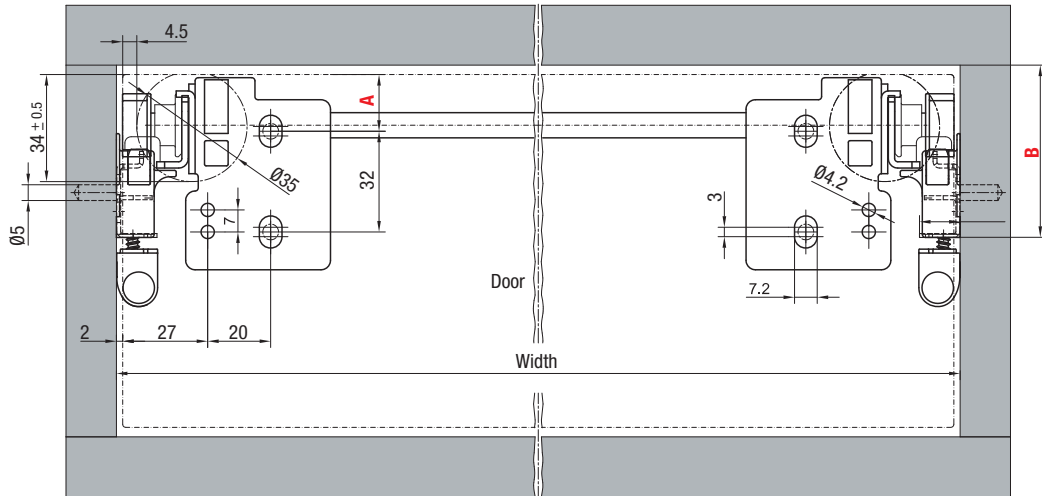
mounting holes for 3.5mm flat head screws/ 6.3mm Euro-screw

Model	Width		Depth		Dimensions		Weight	Order No. black
	mm	in	mm	in	mm	in		
FR 136.36 HE50 ECD			379	14.92			*	0104360.60
FR 136.36 HE64 ECD			379	14.92			*	0104361.60
FR 136.36 HE50 ECD			382	15.04			*	*
FR 136.36 HE64 ECD			384	15.12			*	*
Shaft 737	760	29.92					*	0903570.03
Shaft 937	960	37.80					*	0903527.03
Shaft 1137	1160	45.67					*	0903571.03
Shaft 739	762	30.00					*	0903529.03
Shaft 939	962	37.87					*	0903530.03
Shaft 1139	1162	45.75					*	0903531.03
**Damper ECD strong force					ø10 x 67mm	ø.39 x 2.64 in.	*	0904335.00
**Damper ECD light force					ø10 x 67mm	ø.39 x 2.64 in.	*	0904352.00
**Stop					44 x 13 x 11mm	1.73 x .51 x .43in.	*	0903613.00
Packing Unit: 25 sets per box, **Accessories (50 sets per box)								*on request

FR 136.ECD

ASSEMBLY DRAWING:	parallel guide parts list
ASSEMBLY:	flipper door assembly

DOOR WIDTH:	min. 760-1162 mm (29.92-45.75 in.)
WEIGHT RATING:	dynamic up to 7 kg (15.4 lbs.)



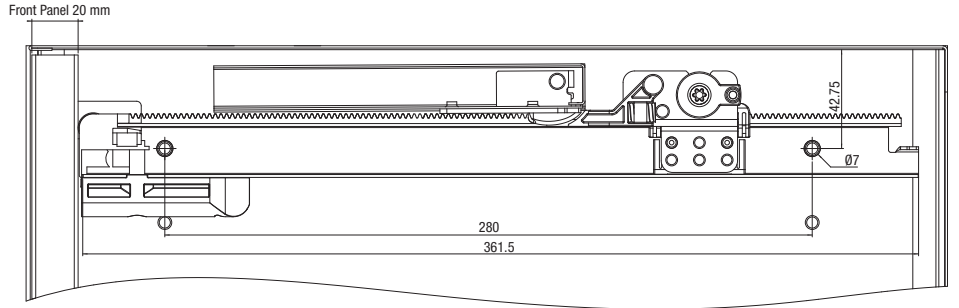
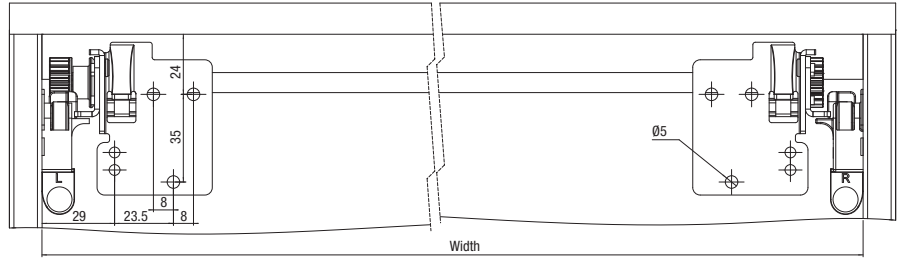
	Depth		Overhang	A		B		C		D		Order No.
	mm	in		mm	in	mm	in	mm	in	mm	in	
Flipper Door Assembly	379	14.92	54mm overhang with door height 361mm	18	0.71	54.7	2.15	14.5	0.57	50	1.97	0104360.60
Flipper Door Assembly	379	14.92	51mm overhang with door height 371mm	26	1.02	62.7	2.47	12.5	0.49	64	2.52	0104361.60

FR 136.ECD

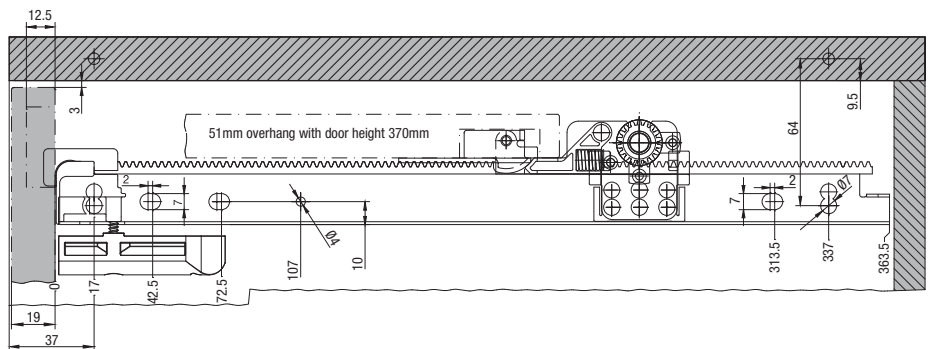
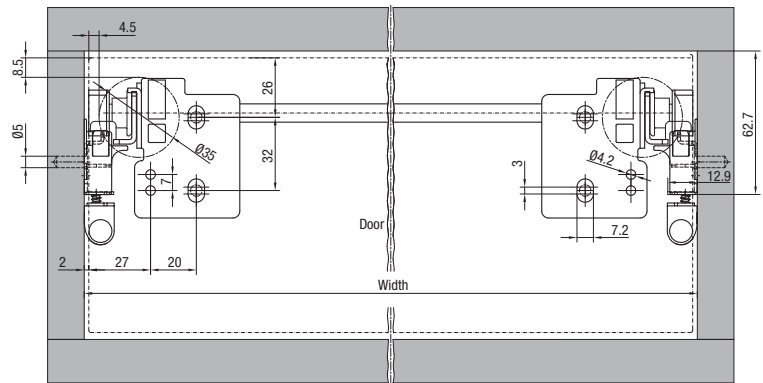
ASSEMBLY DRAWING:	parallel guide parts list
ASSEMBLY:	flipper door assembly

DOOR WIDTH:	min. 760-1162 mm (29.92-45.75 in.)
WEIGHT RATING:	dynamic up to 7 kg (15.4 lbs.)

Depth 382mm (15.04 in.)
Order Number upon request



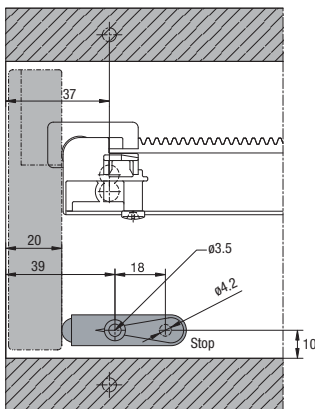
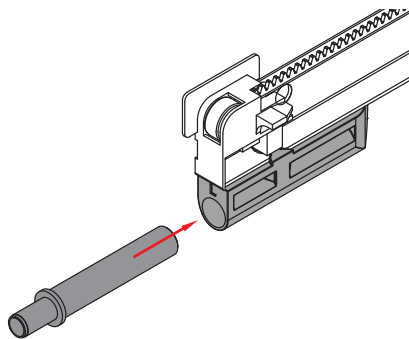
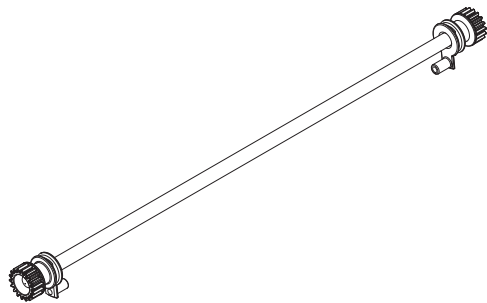
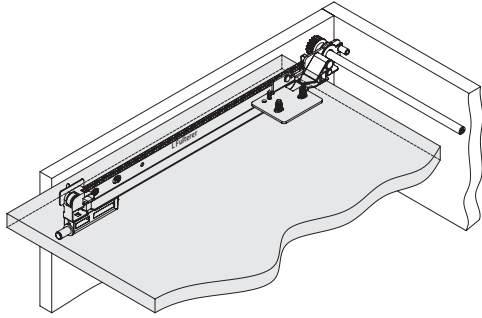
Depth 384mm (15.12 in.)
Order Number upon request



FR 136.ECD

ASSEMBLY DRAWING:	parallel guide parts list
ASSEMBLY:	flipper door assembly

DOOR WIDTH:	min. 760-1162 mm (29.92-45.75 in.)
WEIGHT RATING:	dynamic up to 7 kg (15.4 lbs.)



Model	Width		Depth		Order No. black
	mm	in	mm	in	
FR 136.36 HE50 ECD			379	14.92	0104360.60
FR 136.36 HE64 ECD			379	14.92	0104361.60
FR 136.36 HE50 ECD			382	15.04	on request
FR 136.36 HE64 ECD			384	15.12	on request

Model	Width		Depth		Order No. black
	mm	in	mm	in	
Shaft 737	760	29.92			0903570.03
Shaft 937	960	37.80			0903527.03
Shaft 1137	1160	45.67			0903571.03
Shaft 739	762	30.00			0903529.03
Shaft 939	962	37.87			0903530.03
Shaft 1139	1162	45.75			0903531.03

Model	Dimension		Order No.
	mm	in	
Damper ECD strong force	ø10 x 67mm	ø.39 x 2.64 in.	0904335.00
Damper ECD light force	ø10 x 67mm	ø.39 x 2.64 in.	0904352.00

Model	Dimension		Order No.
	mm	in	
Stop	44 x 13 x 11mm	1.73 x .51 x .43in.	0903613.00