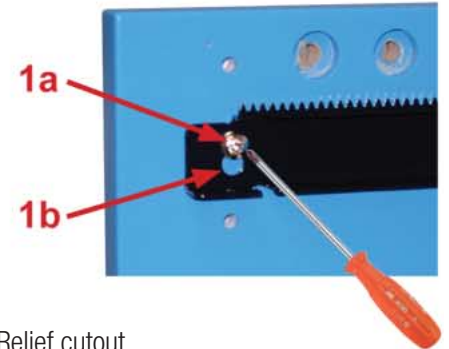


FR 136.ECD Mounting Instructions

1. Screw on cabinet rail (Use hole **1a** for HE50 or hole **1b** for HE64)

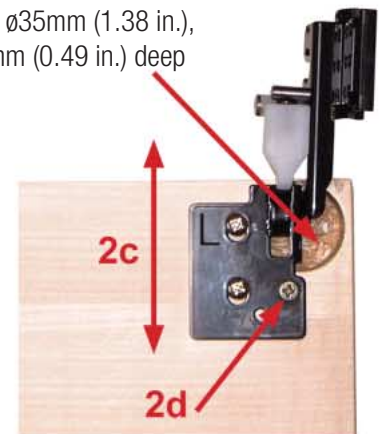


2. Install left and right brackets on lid **2a** and **2b**. Use slots **2c** to align door and then fasten in place with screw hole **2d**

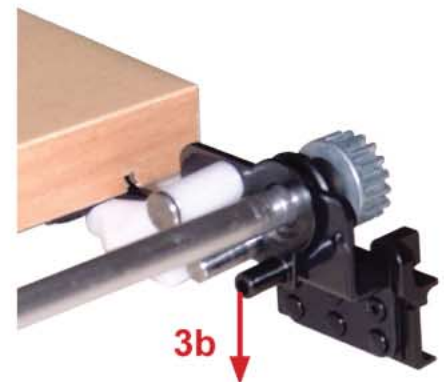
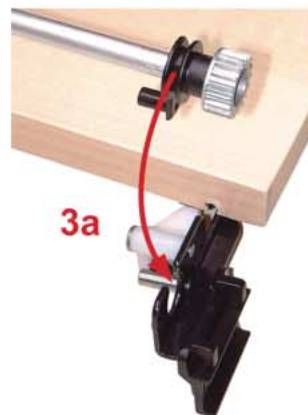


Relief cutout
HE50: $\varnothing 35\text{mm}$ (1.38 in.),
14.5mm (0.57 in.) deep

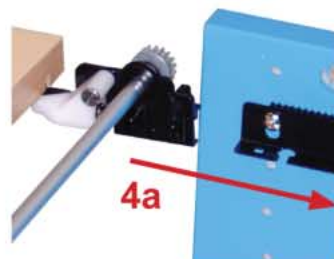
HE64: $\varnothing 35\text{mm}$ (1.38 in.),
12.5mm (0.49 in.) deep



3. Place shaft with cog wheel in bracket **3a** (observe position of pivot **3b**)

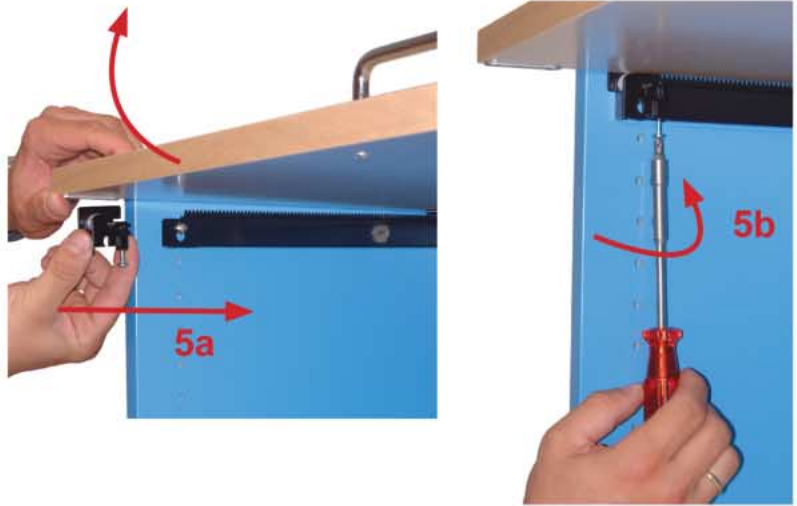


4. Insert lid with bracket and cog wheel into cabinet rail **4a** and push it to rear stop **4b**.

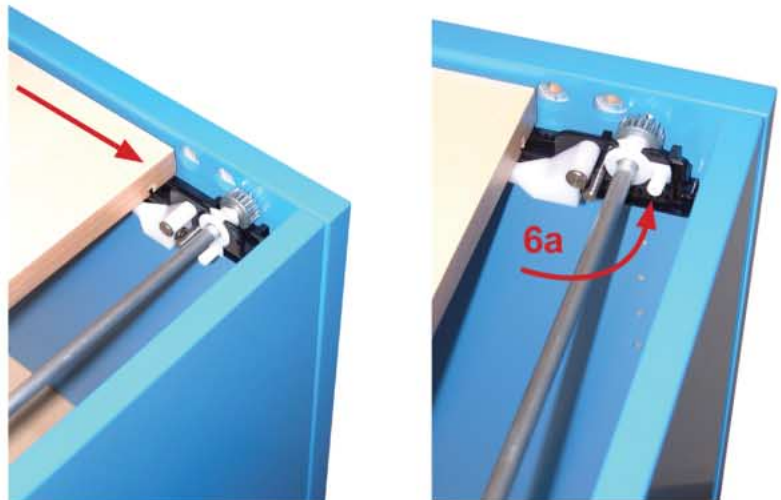


FR 136.ECD Mounting Instructions

5. Insert guide (left/right) into cabinet rail **5a**. Fasten screw **5b**.



6. Turn pivot **6a** counterclockwise by 90°.



7. Close lid **7a** and mount stop **7b**.

