

FR 1019

SLIDE TYPE:	Regular-Extension Drawer Slide
MOUNTING:	Side Mount

WIDTH:	12 mm (0.47 in.)
LOAD CAPACITY:	dynamic up to 34 kg (75 lbs.)

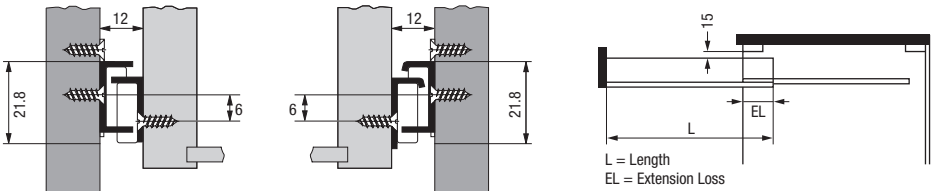


MATERIALS: powder coated cold rolled steel

FEATURES: nylon rollers

SPECIFICATIONS:

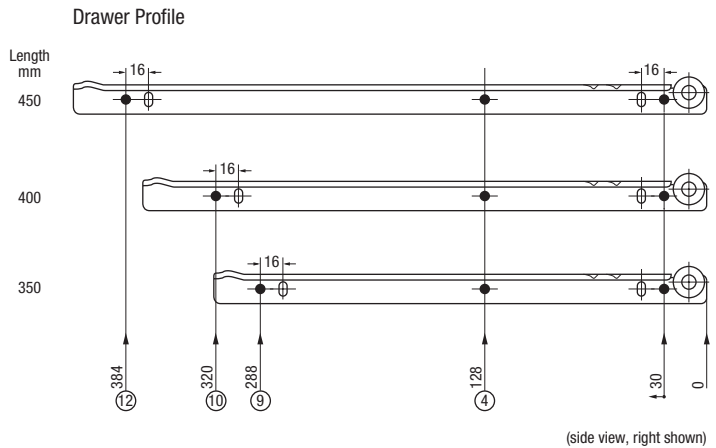
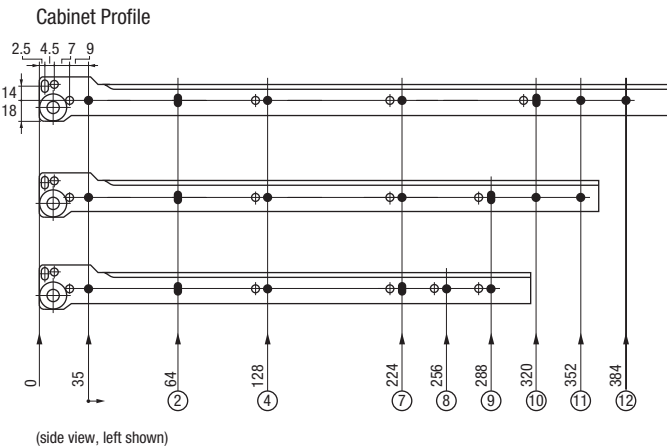
- ▶ economical, with very good running qualities most suitable for RTA furniture
- ▶ cabinet and drawer profile specially formed to prevent rollers from touching protruding screws
- ▶ special custom hole patterns available on request



12 mm (0.47 in.) is the actual size of the slide.
Allow a min. of 12.7 mm (0.5 in.) for clearance.

NOTE:

- ▶ other lengths and colors available on request
- ▶ for screws, see fastening materials, brackets, spacers, jigs, etc.



Length	Extension Loss		Weight	Order No. A: (Taped) white	Order No. A: (Taped) brown	Order No. B: (Bulk) white	Order No. B: (Bulk) brown	Order No. B: (Bulk) black
	mm	in						
350	13.78	85 3.35	*	90019	*	90014	90024	*
400	15.75	85 3.35	*	*	90009	*	*	90022
450	17.72	85 3.35	*	*	*	*	90020	*

Packing Unit: **A: Taped 20 pair per box, taped per pair B: Bulk packed 100 pcs. of each profile per box** *on request