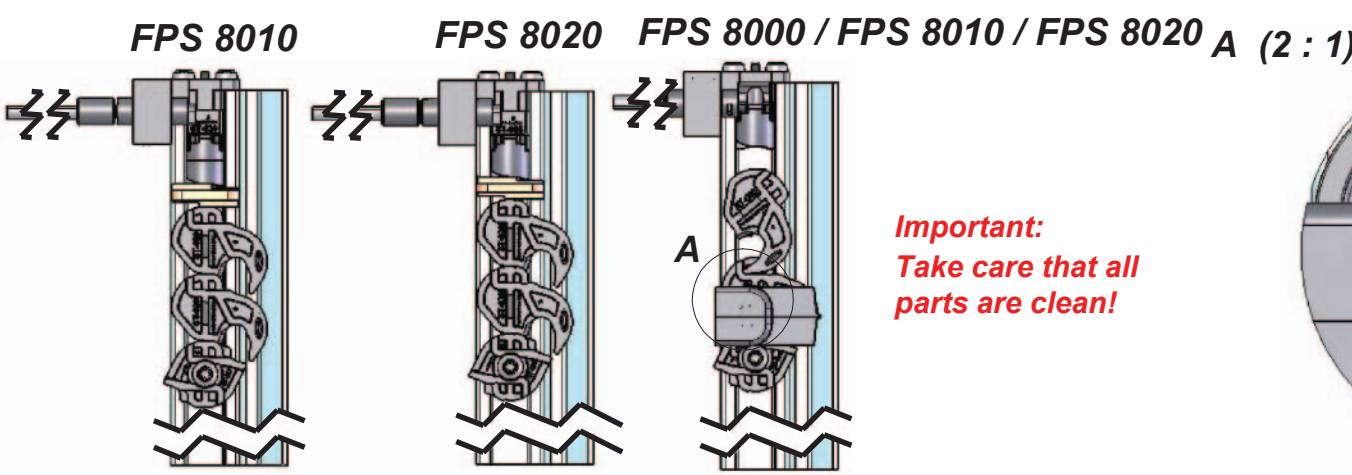
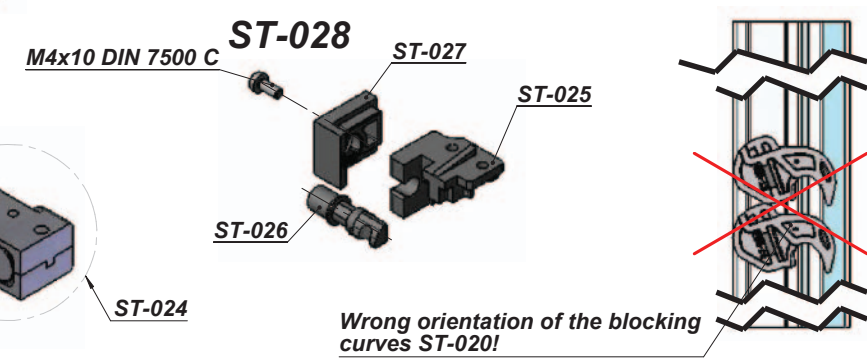
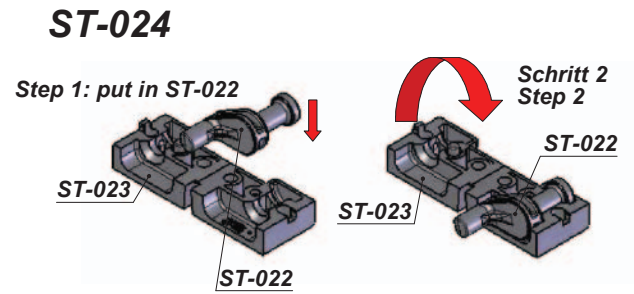
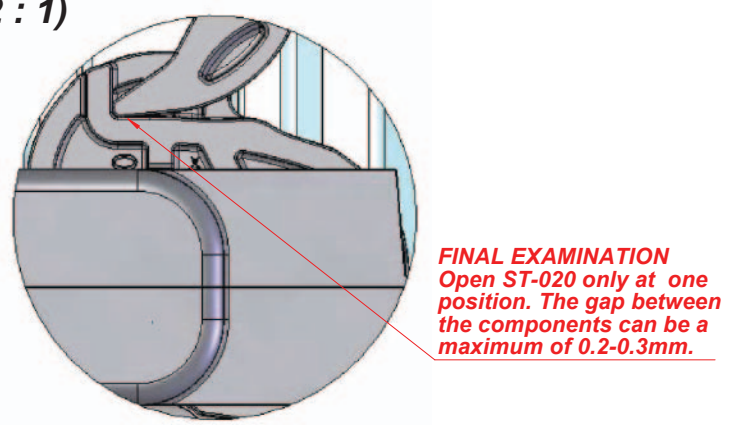


M5x16: Tightening torque 6Nm

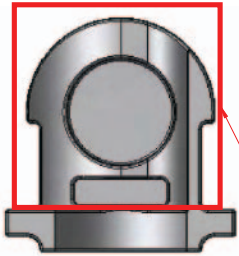


Important:
Take care that all parts are clean!

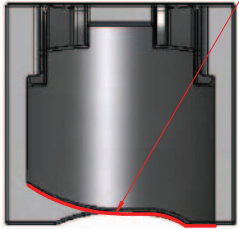


Lubrication of ST-010 / ST-013 / ST-014 / ST-015 / ST-016 / ST-017 / ST-018

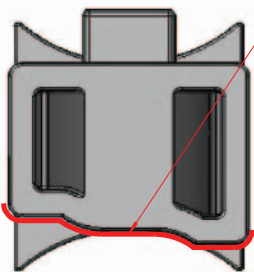
Take care that the part is lubricated only if they directly contact ST-020!



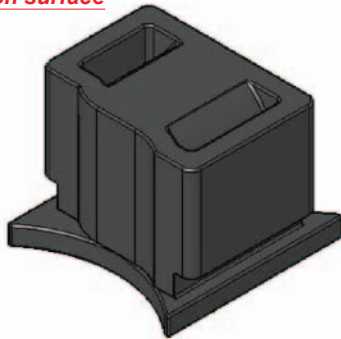
Lubricate surface



Lubrication of ST-012



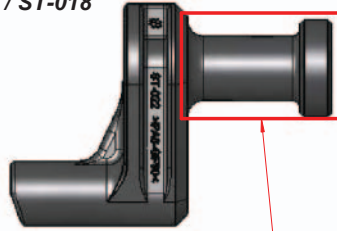
Lubrication surface



Important:
Take care that all parts are clean!

Lubrication:
Fa. T4 lubricant
Special Lubrication 8000 (high viscosity, synthetic lithium grease)

Lubrication of ST-022

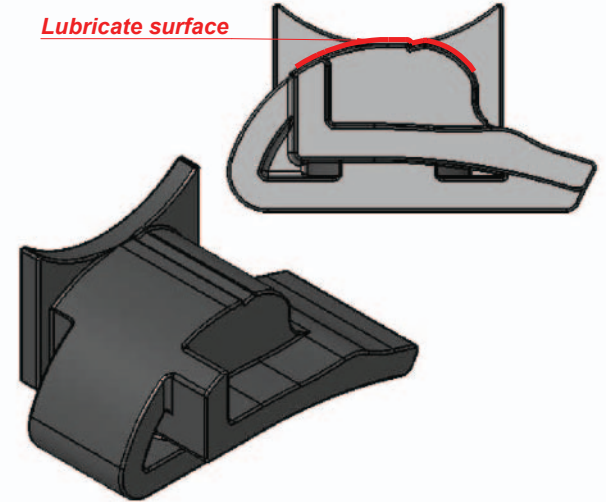


Lubricate the compl. bolt



Lubrication of ST-029

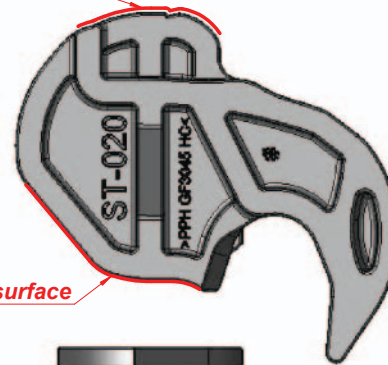
Lubricate surface



Lubrication of ST-020

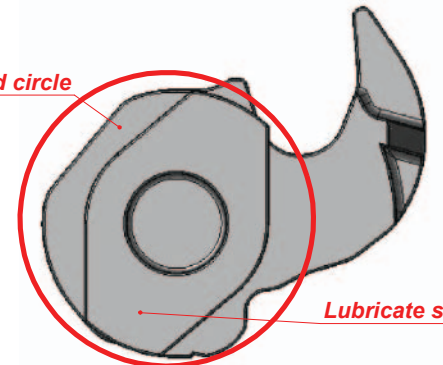
Lubricate surface

Lubricate the surface in the red circle



Lubricate surface

Lubricate surface



Lubricate surface

