

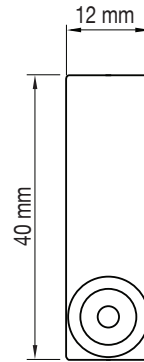
FPS Beetle

Features:

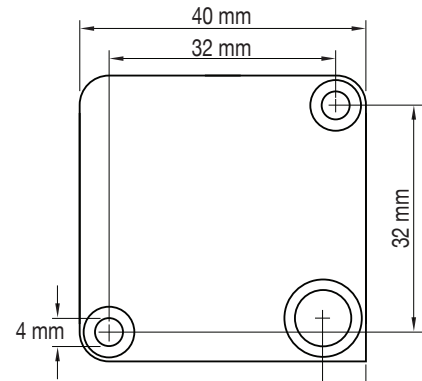
- small size
- robust metal case
- stainless steel look
- 3-direction fastener
- strong small servo motor
- 3V DC open
- 3V DC close
- 650 mm (25.59 in.) cable

Usages:

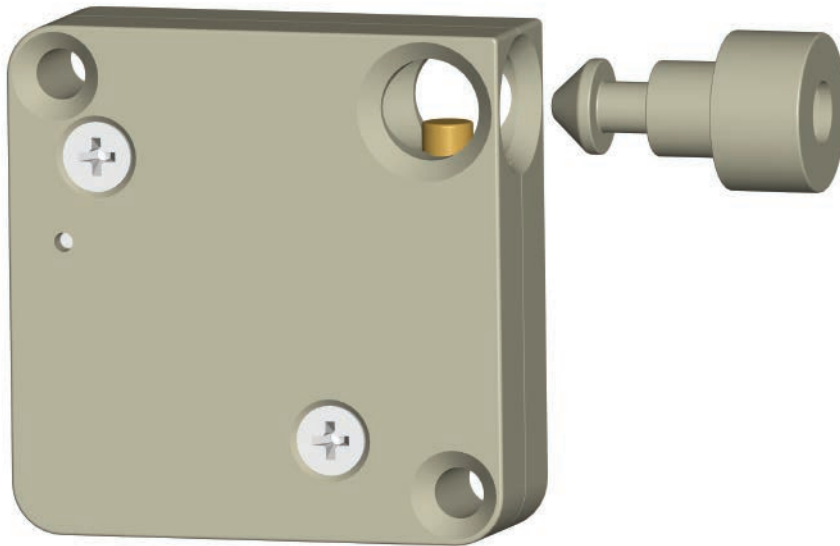
- cabinets
- drawer
- showcases
- sliding-doors



End View



Side View



beetle electronic for 0V signal

Use this version when you want to open the beetle with constant 3V DC and a 0V signal. Use it as a sub-unit with a Solo electronic lock or in combination with any FPS keypad.

beetle electronic for 12V DC

Use this version when you want to open and close the lock with:

- Open 10-15 VDC (Brown)
- Close 10-15 VDC (Black)
- Ground 0 VDC (Blue)