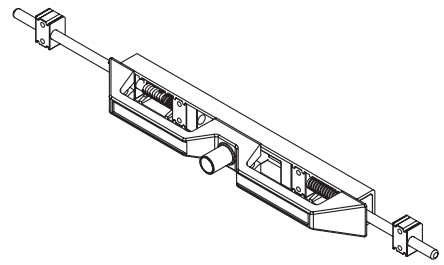
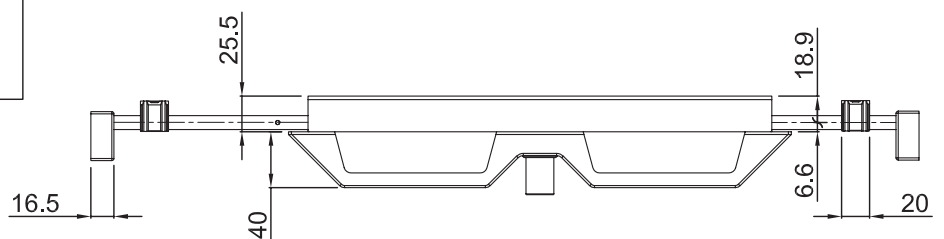
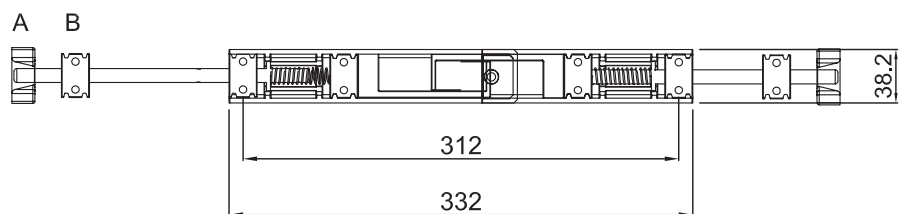
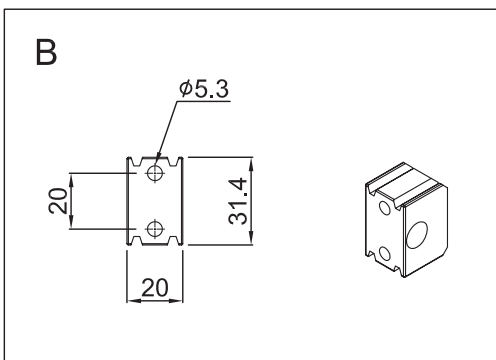
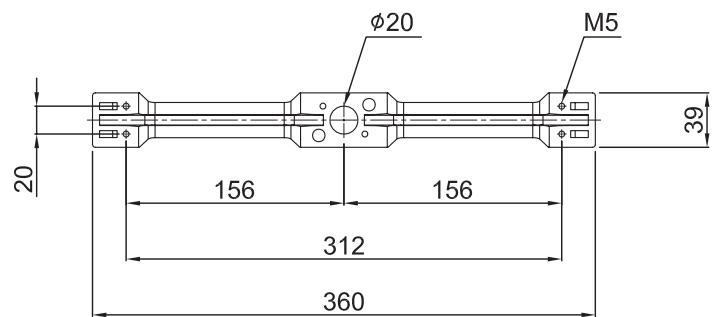
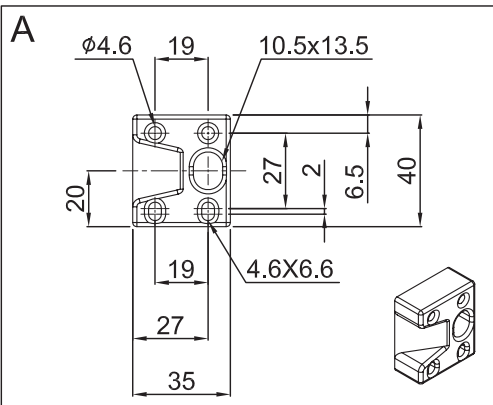
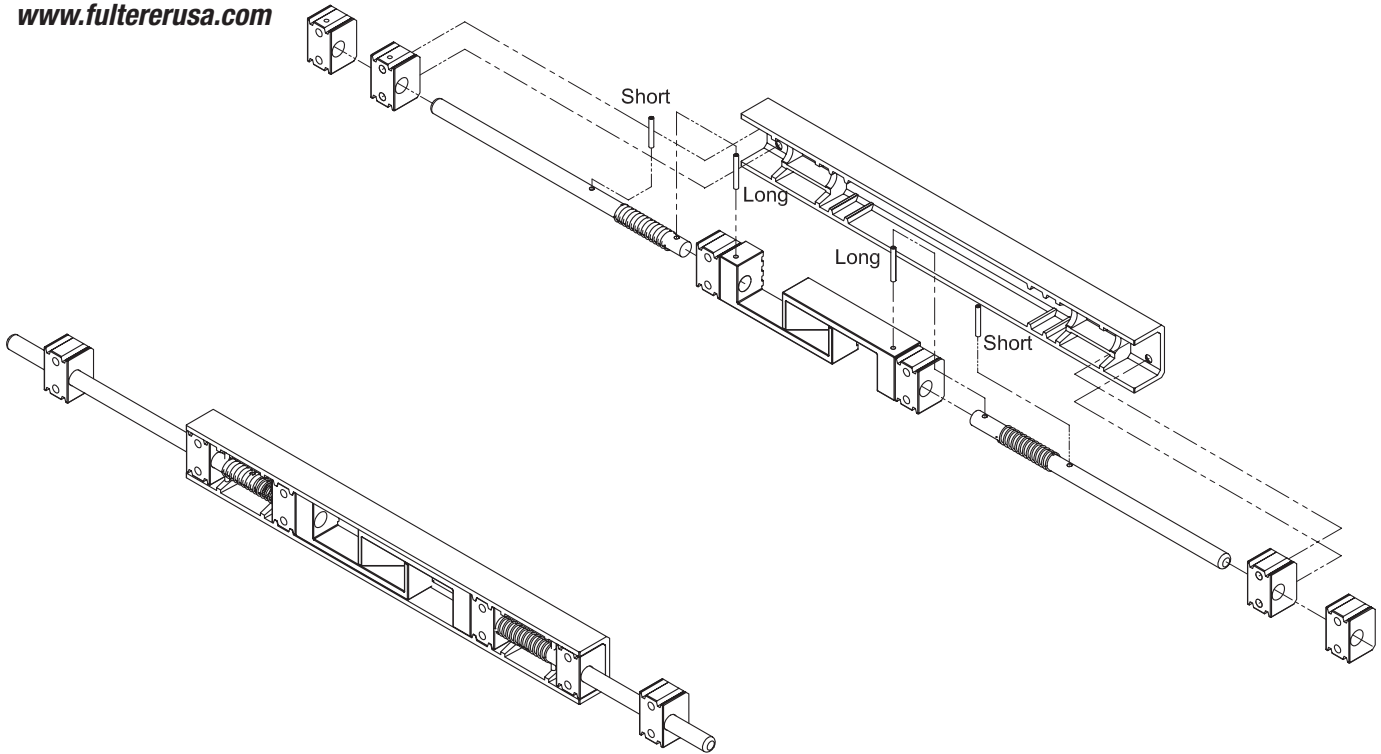


# Fulterer®

## FPS 8100 Locking Handle



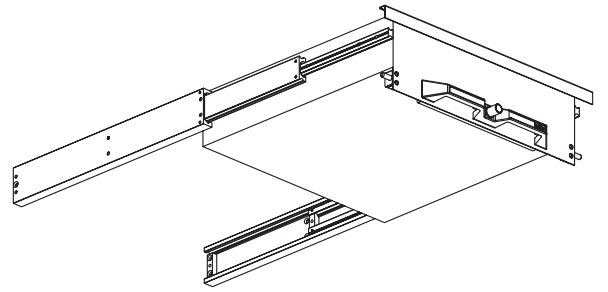
www.fulterer.com  
www.fultererusa.com



# Fulterer®

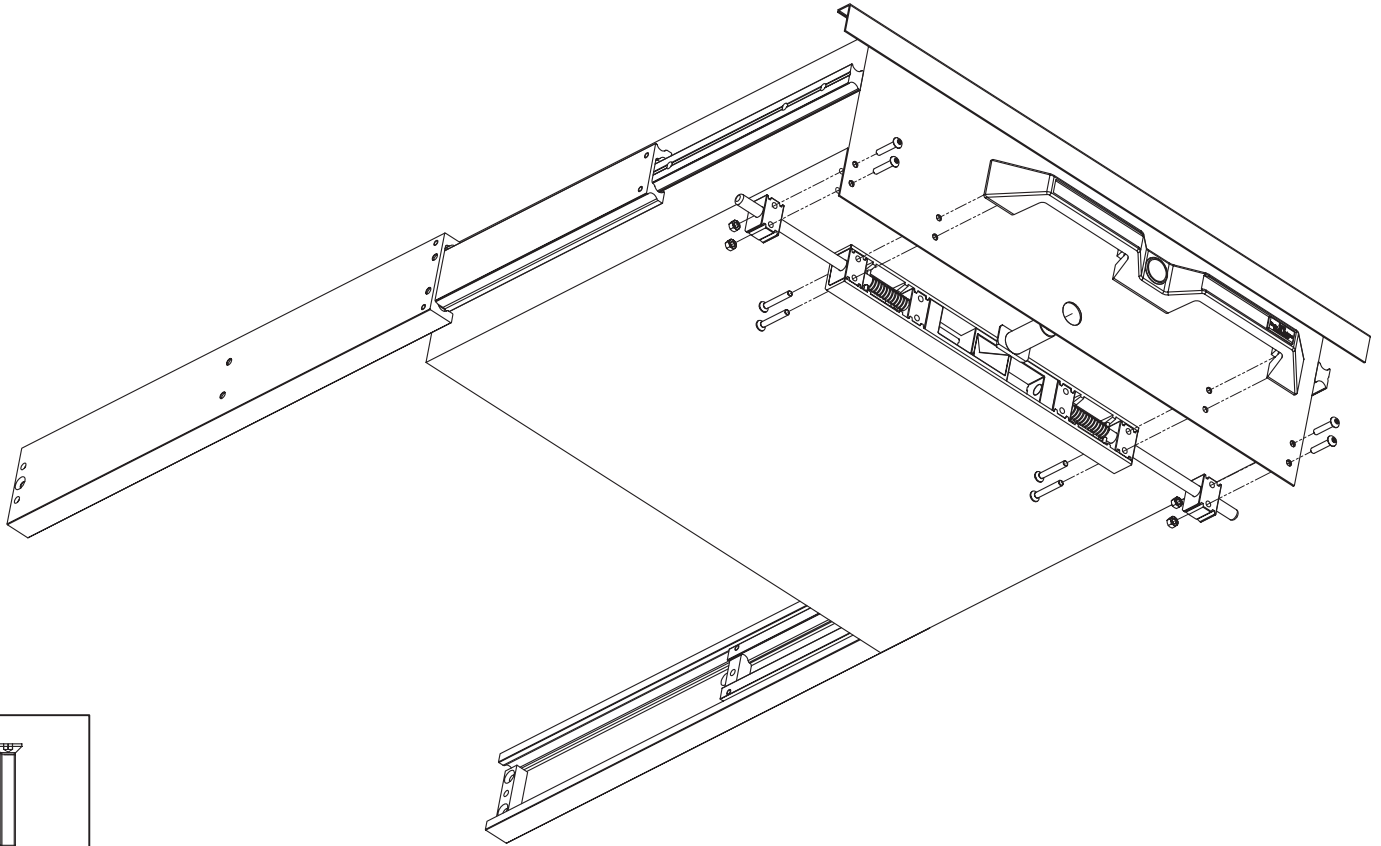
## FPS 8100 Locking Handle (A)

Max. material thickness on drawer front  
= 7mm / M5 screws



[www.fulterer.com](http://www.fulterer.com)

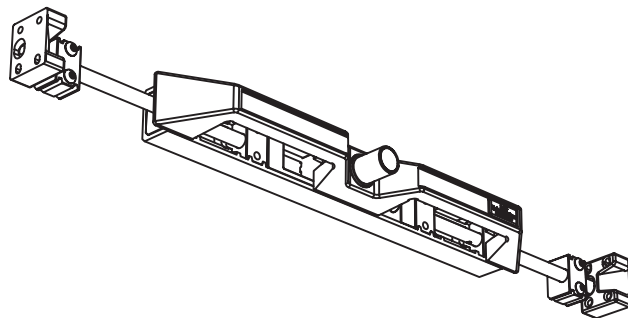
[www.fultererusa.com](http://www.fultererusa.com)



M5



M5



M5

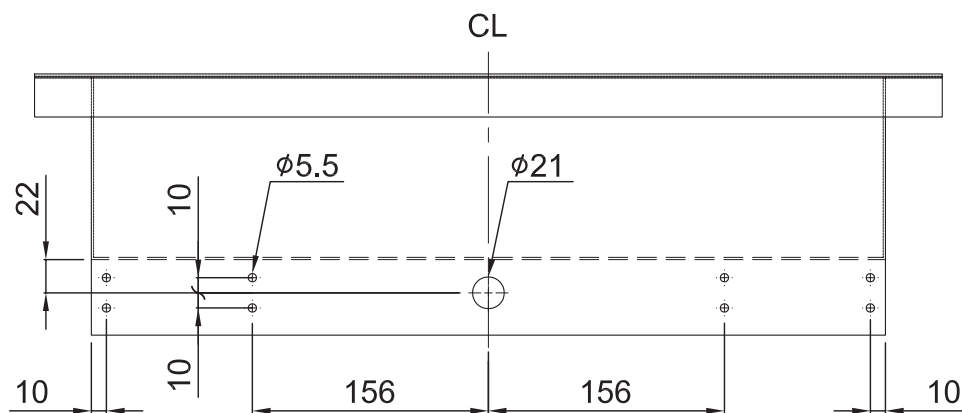
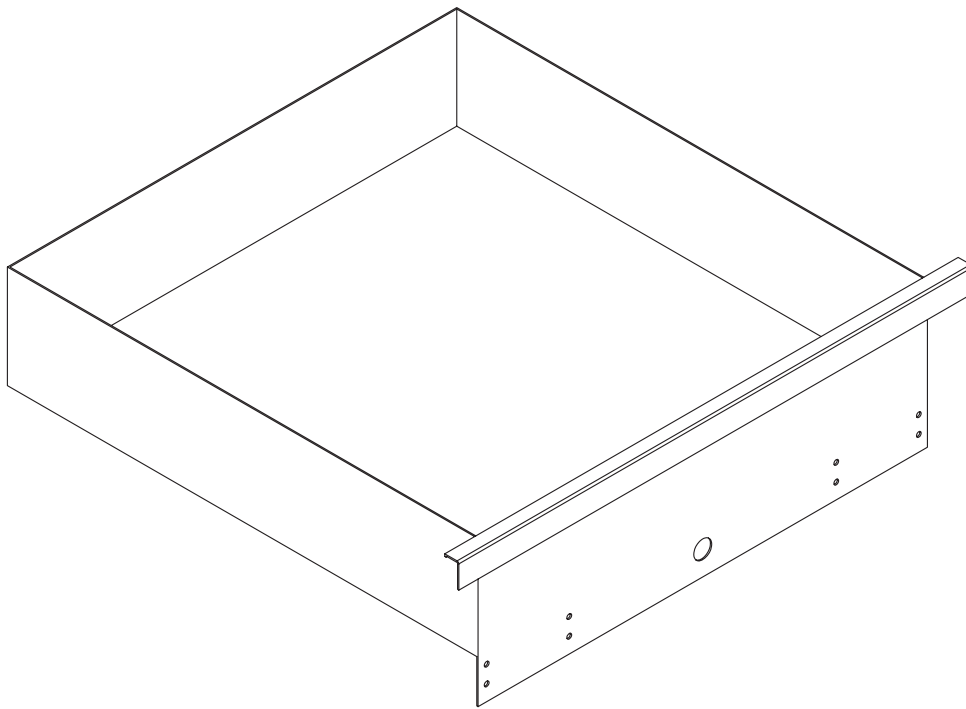


M5

## FPS 8100 Locking Handle (A)

[www.fulterer.com](http://www.fulterer.com)

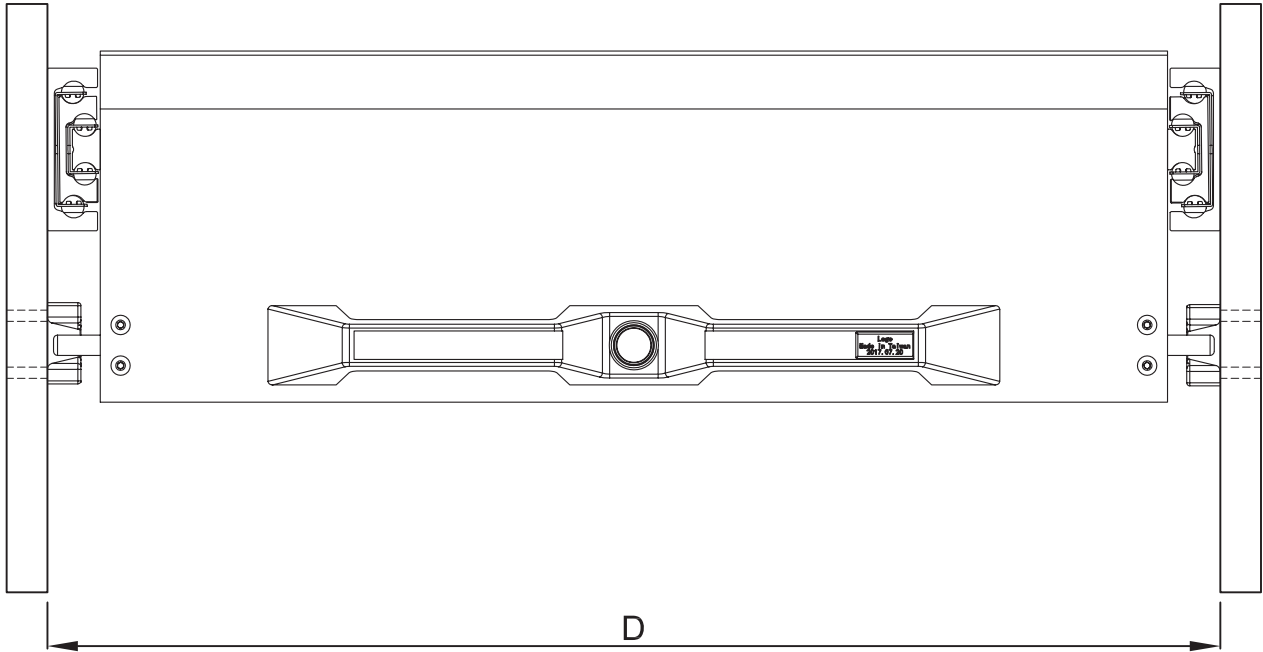
[www.fultererusa.com](http://www.fultererusa.com)



## FPS 8100 Locking Handle

[www.fulterer.com](http://www.fulterer.com)

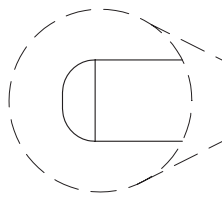
[www.fultererusa.com](http://www.fultererusa.com)



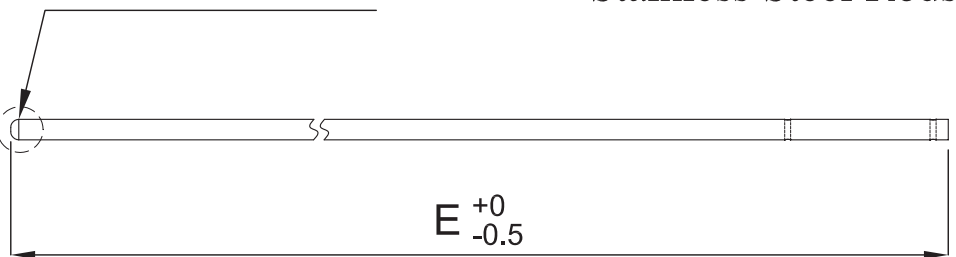
$$E = (D - 124) / 2$$

Should be Radius

Stainless Steel Rods



UNIT : MM



# Fulterer®

## FPS 8100 Locking Handle

[www.fulterer.com](http://www.fulterer.com)

[www.fultererusa.com](http://www.fultererusa.com)

