

## FPS 10 Ten Public Operating & Mounting Instructions

### Lock

Choose any open locker, close the door and insert your 4-digit code and press ✓ .  
 The lock will close and the door will be locked.

### Open

Enter the same code again, press ✓ and the lock will open.

### Master Code: (000000)

For a new lock press Press ✓ Red LED lights then enter 000000 to open a lock  
 when the passcode has been forgotten. Use ✓ and the users 6 digit code for an installed lock

### Change the master codes: (for example from 000000 to 123456)

✓ ✓ 000000 ✓ ✓ 123456 ✓ ✓ 123456

Two green LED signals will confirm the successful change of the code

### Red LED lights

In case of a red LED flash while setting the code, one digit has been pressed  
 twice. After the red flash, the 4 digit code can be reset.

### Wrong attempts

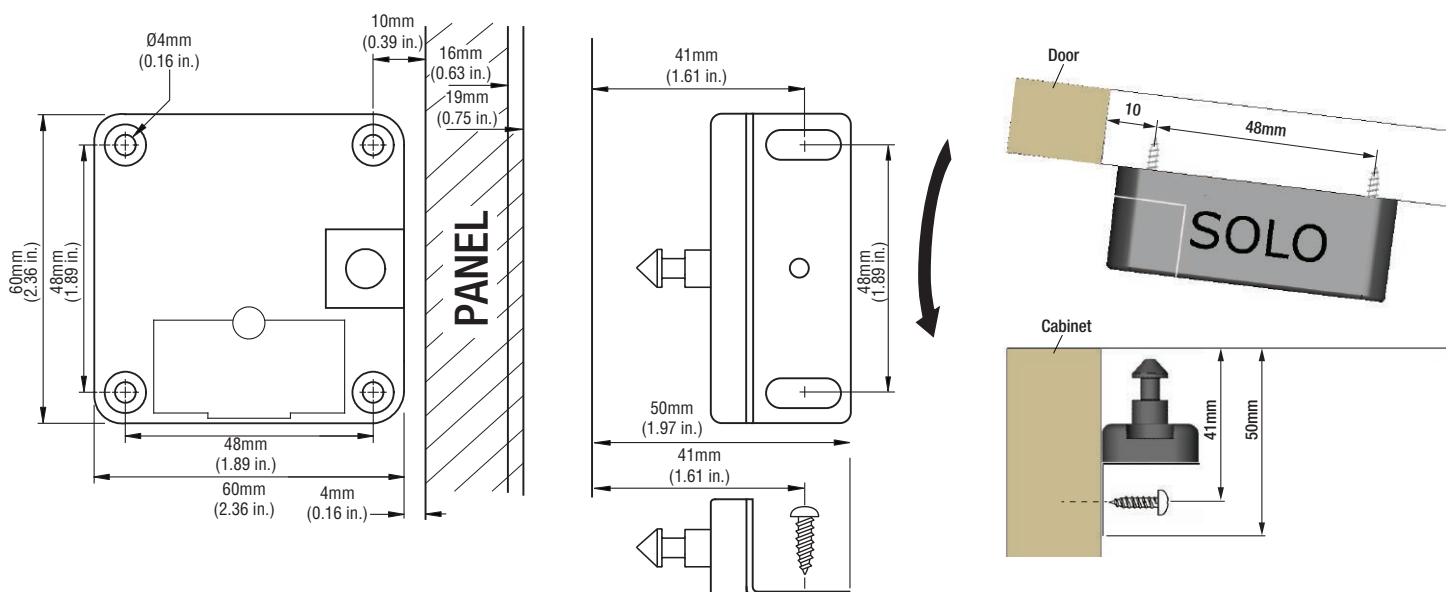
After three failed attempts the lock will go into a standby mode for 60 seconds.

### Battery alert

The keypad checks the battery power during the opening process. In case of a low battery the  
 lock will stay open and the red LED lights for 60 seconds. After replacing the battery, the last code is  
 still active.

### Screws

The attached screws are designed for 19mm (.75 in.) wood panels. For any other thickness, please  
 calculate the length of the screw with: **Thickness of the panel + 24mm (0.95 in.)**



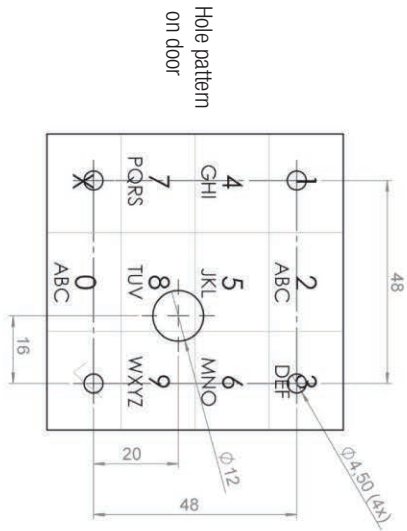
# Fulterer

**FULTERER USA INC.** T +1 336 431 - 4646  
 542 Townsend Avenue T +1 800 395 - 4646  
 High Point, NC F +1 336 431 - 4620  
 27263-4552, USA info@fultererusa.com  
 www.fultererusa.com

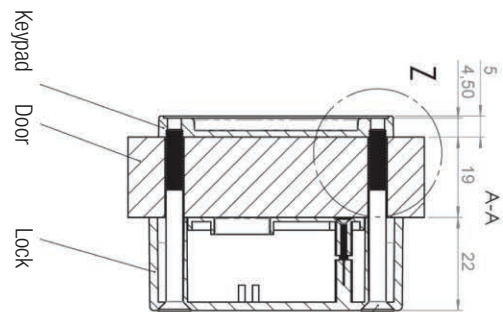
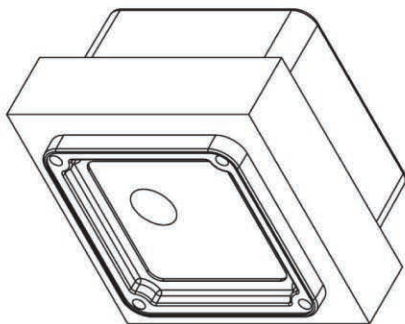
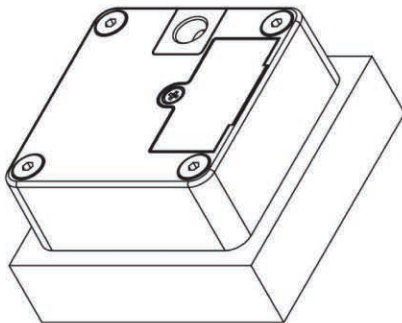
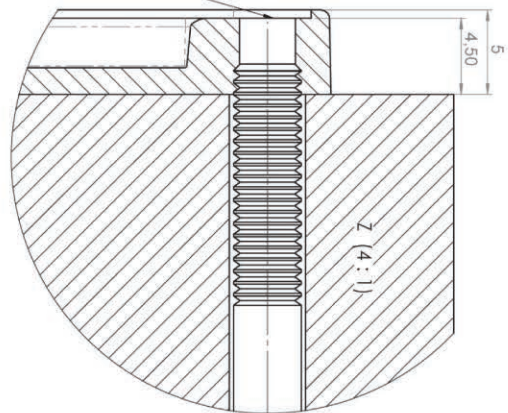
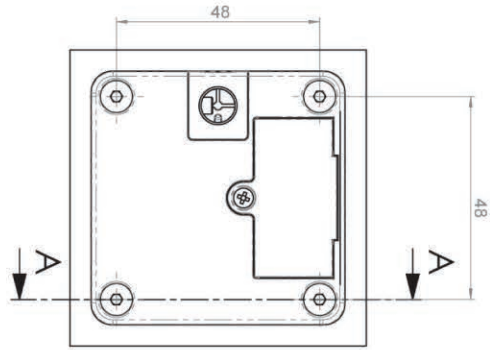
**FULTERER USA INC.**  
 1900 Proforma Avenue, Unit F-2  
 Ontario, CA  
 91761, USA

T +1 909 947 - 0407  
 F +1 909 947 - 0409  
 info@fultererusa.com  
 www.fultererusa.com

**FULTERER GMBH**  
 www.fulterer.com



Warning: note screw length:  
 Screw should not protrude beyond this edge



Countersunk for M4 x 43mm  
 flat head screws  
 (for door thickness 19mm)