

## FPS 10 Ten Private Operating & Mounting Instructions

### Default delivery

The default code setting is: 9999

### Open

Insert the code and press ✓

### Red LED lights

Only four digits are allowed for the code. If a red light flashes while the code is being entered, five digits were entered. After the red flash, the code can be entered again.

**Change the code:** (for example from 9999 to 1234)

✓ ✓ 9999 ✓ ✓ 1234 ✓ ✓ 1234

The green LED will light for 2 seconds.

### Wrong attempts

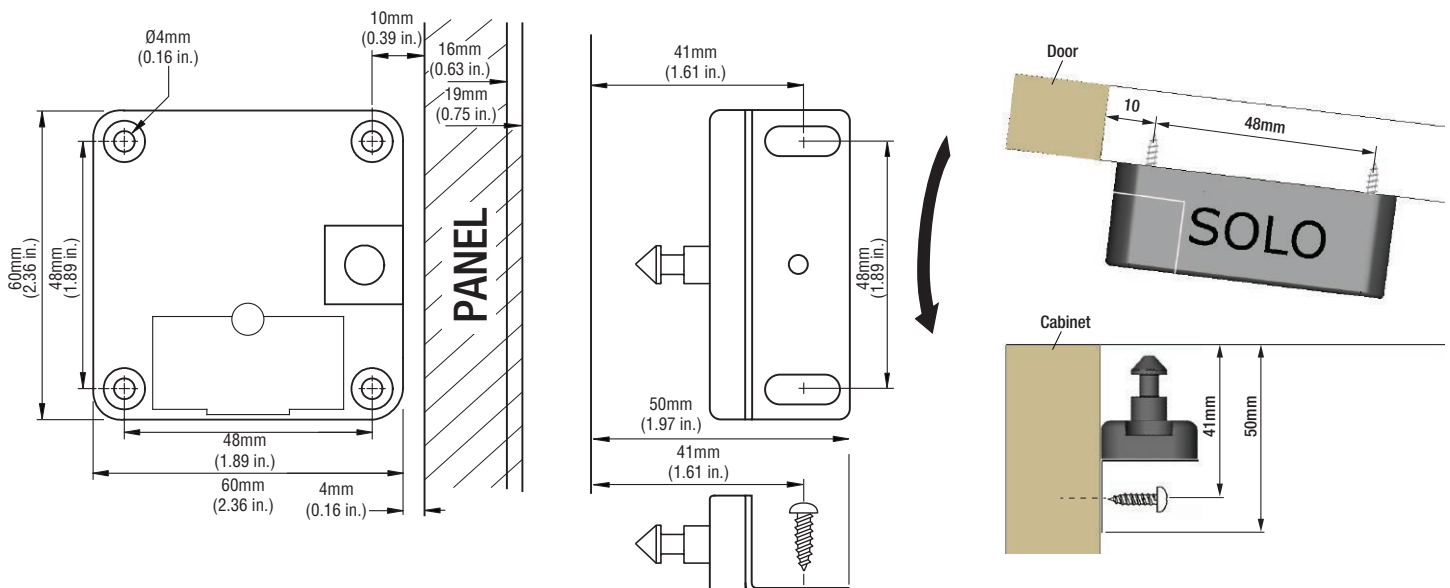
After three failed attempts the lock will go into a standby mode for 60 seconds.

### Battery alert

The keypad checks the battery power during the opening process. In case of a low battery the lock will stay open and the red LED lights for 60 seconds. After replacing the battery, the last code is still active.

### Screws

The attached screws are designed for 19mm (.75 in.) wood panels. For any other dimension, please calculate the length of the screw with: **Thickness of the panel + 24mm (0.95 in.)**



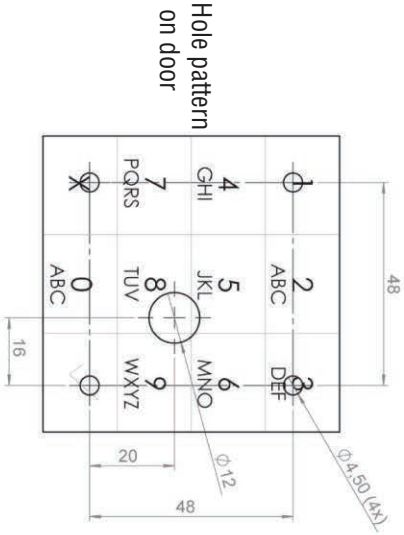
# Fulterer

**FULTERER USA INC.**  
 542 Townsend Avenue  
 High Point, NC  
 27263-4552, USA  
 T +1 336 431 - 4646  
 T +1 800 395 - 4646  
 F +1 336 431 - 4620  
 info@fultererusa.com  
 www.fultererusa.com

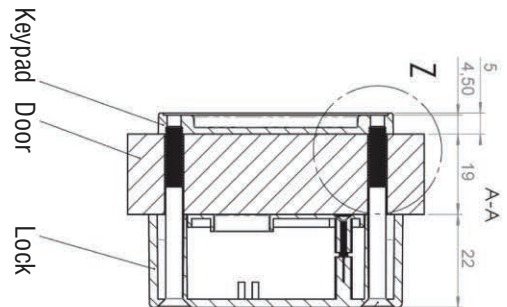
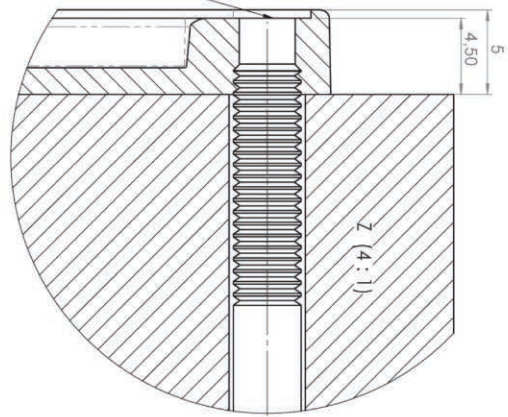
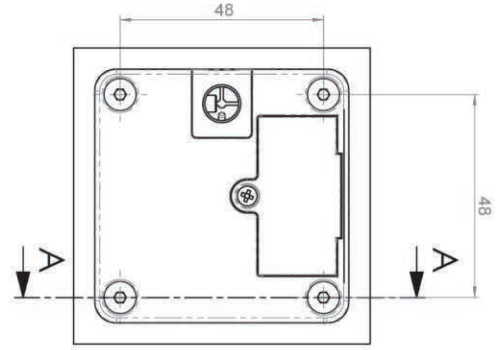
**FULTERER USA INC.**  
 1900 Proforma Avenue, Unit F-2  
 Ontario, CA  
 91761, USA

T +1 909 947 - 0407  
 F +1 909 947 - 0409  
 info@fultererusa.com  
 www.fultererusa.com

**FULTERER GMBH**  
 www.fulterer.com



Warning: note screw length:  
 Screw should not protrude beyond this edge



Countersunk for M4 x 43mm  
 flat head screws  
 (for door thickness 19mm)

