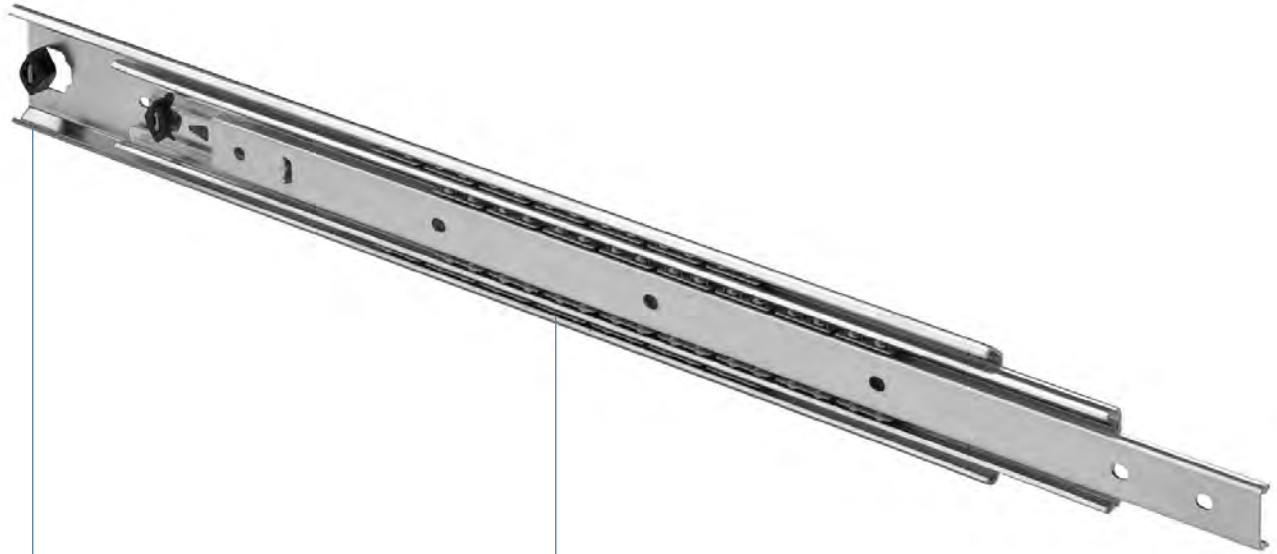


# FR 5302

<b>SLIDE TYPE:</b>	Heavy-Duty Full-Extension Ball Bearing Drawer Slide
<b>MOUNTING:</b>	Side Mount

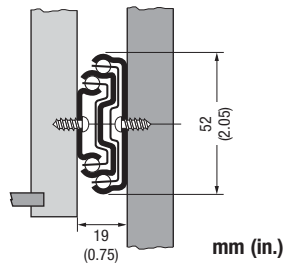
<b>WIDTH:</b>	19 mm (0.75 in.)
<b>LOAD CAPACITY:</b>	dynamic up to 100 kg (225 lbs.)



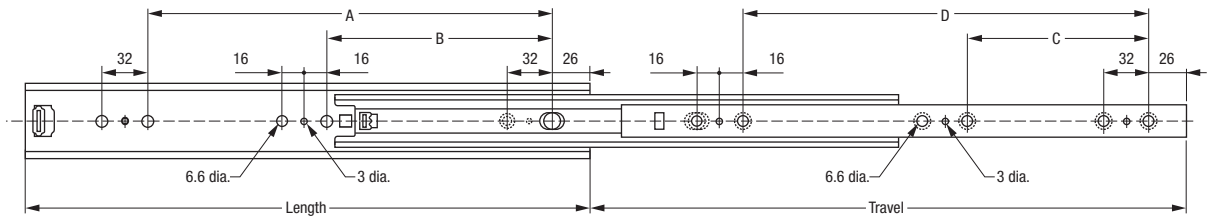
**MATERIAL:** cold rolled steel

**FEATURES:** steel ball bearings

- SPECIFICATIONS:**
- ▶ precision ball bearing drawer slide for heavy-duty usage
  - ▶ telescoping 3-stage design with excellent running qualities
  - ▶ standard 25 mm (1 in.) overtravel
  - ▶ drawer slide is non-handed and has a hold close detent
  - ▶ non-disconnect drawer profile



19 mm (0.75 in.) is the actual size of the slide.  
Allow a min. of 19.5 mm (0.77 in.) for clearance.



Length mm in	Travel mm in	Cabinet Profile:		Drawer Profile:		Weight kg lbs	Order No. zinc
		A mm in	B mm in	C mm in	D mm in		
300 11.81	323 12.72		192 7.56	192 7.56		*	600111
350 13.78	373 14.69		224 8.82	244 8.82		*	600113
400 15.75	423 16.66	288 11.34	160 6.30	128 5.04	288 11.34	*	600100
450 17.72	473 18.62	320 12.6	160 6.30	128 5.04	320 12.60	*	600101
500 19.69	523 20.59	384 15.12	192 7.56	160 6.30	384 15.12	*	600102
550 21.65	573 22.56	416 16.38	192 7.56	160 6.30	416 16.38	*	600103
600 23.62	623 24.53	480 18.89	256 10.08	192 7.56	480 18.89	*	600104
650 25.59	673 26.50	544 21.42	256 10.08	224 8.82	544 21.42	*	600105
700 27.56	723 28.47	576 22.68	288 11.34	256 10.08	576 22.68	*	600106
750 29.53	773 30.43	640 25.11	320 12.60	288 11.34	640 25.11	*	600107
800 31.50	823 32.40	704 27.73	352 13.86	320 12.60	704 27.73	*	600108

Packing Unit: 10 pair per box

\*on request